

Ques No.

Question

**JEE MAINS 12 APRIL 2019 - PAPER 1 SHIFT 1 -
MEMORY BASED - PHYSICS**

2 mole ideal He gas and 3 mole ideal H_2 gas at constant volume find out C_v of mixture

(A) $\frac{21R}{10}$

(B) $\frac{11R}{10}$

(C) $\frac{21R}{5}$

(D) $\frac{11R}{5}$

CORRECT OPTION: A[Watch Free Video Solution on Doubtnut](#)

1 - 9677618

2 - 9677619

JEE MAINS 12 APRIL 2019 - PAPER 1 SHIFT 1 -

MEMORY BASED - PHYSICS

He^+ is in n^{th} state. It emits two successive photons of wavelength $103.7nm$ and $30.7nm$, to come to ground state the value of n is:

- (A) 4
- (B) 5
- (C) 6
- (D) 7

CORRECT OPTION: B

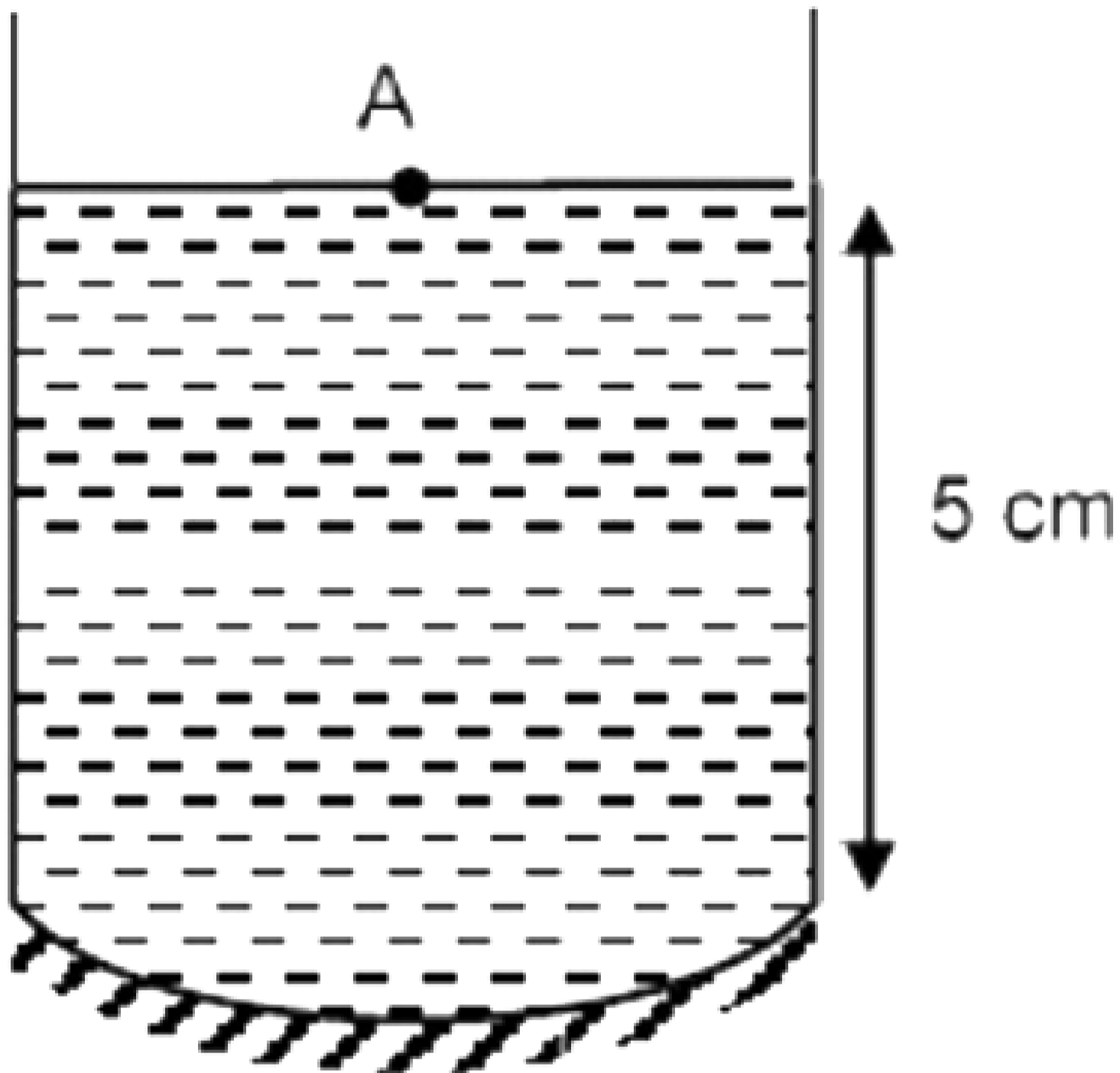
[© Watch Free Video Solution on Doubtnut](#)

3 - 9677620

**JEE MAINS 12 APRIL 2019 - PAPER 1 SHIFT 1 -
MEMORY BASED - PHYSICS**

Water is filled in a container upto a height of $5cm$. There is a concave mirror of radius of curvature $40cm$. A person just

above the surface observes image of 'A'. The distance of image from water surface is ($\mu_{\text{water}} = 1.33$):



(A) 8.8 cm

(B) 7.8

(C) 6.8

(D) 5.4

CORRECT OPTION: A

[© Watch Free Video Solution on Doubtnut](#)

**JEE MAINS 12 APRIL 2019 - PAPER 1 SHIFT 1 -
MEMORY BASED - PHYSICS**

m_1 gram of ice at $-10^\circ C$ and m_2 gram of water at $50^\circ C$ are mixed in insulated container. If in equilibrium state we get only water at $0^\circ C$ then latent heat of ice is :

(A) $\frac{50m_2}{m_1} + 5$

(B) $\frac{50m_2}{m_1} - 5$

(C) $\frac{50m_2}{m_1} + 50$

(D) $\frac{50m_2}{m_1} - 50$

CORRECT OPTION: B

[© Watch Free Video Solution on Doubtnut](#)

**JEE MAINS 12 APRIL 2019 - PAPER 1 SHIFT 1 -
MEMORY BASED - PHYSICS**

Mass per unit area of a disc of inner radius ' a ' and outer radius ' b ' is given by $\left(\frac{\sigma_0}{r}\right)$, r distance from center. Its radius of gyration *w. r. t.* axis of rotation passing through center and perpendicular to plane is

(A) $\sqrt{\frac{B^4 - a^4}{3(b^2 - a^2)}}$

(B) $\sqrt{\frac{b^3 - a^3}{3(b - a)}}$

(C) $\sqrt{\frac{b^3 - a^3}{5(b - a)}}$

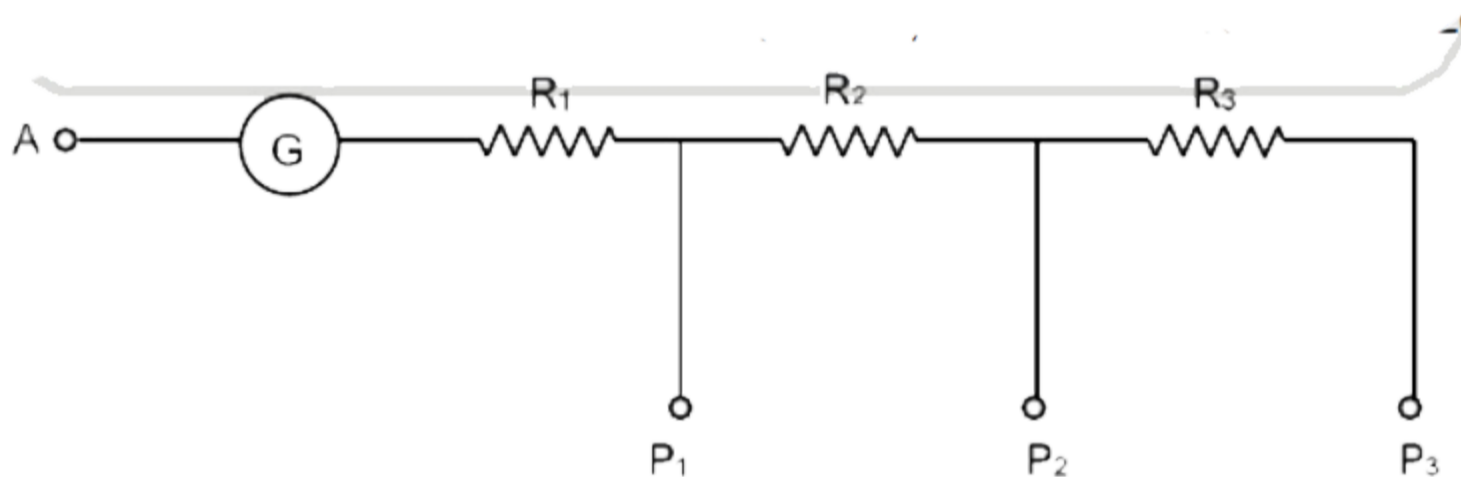
(D) $\sqrt{\frac{b^4 - a^4}{5(b^2 - a^2)}}$

CORRECT OPTION: B

© Watch Free Video Solution on Doubtnut

**JEE MAINS 12 APRIL 2019 - PAPER 1 SHIFT 1 -
MEMORY BASED - PHYSICS**

A galvanometer has 50 divisions, current per unit deflection is $20\mu A$ and resistance of coil of galvanometer is 100Ω . Find the value of resistance R_1 , R_2 and R_3 if its range as a voltmeter when used between A & P_1 is $(0 - 2V)$ between A and P_2 is $(0 - 10V)$ and between A & P_3 is $(0-20V)$



- (A) 1900Ω , 8000Ω , 10000Ω
- (B) 1900Ω , 4000Ω , 8000Ω
- (C) 19000Ω , 8800Ω , 12000Ω
- (D) 12000Ω , 8800Ω , 19000Ω

CORRECT OPTION: A

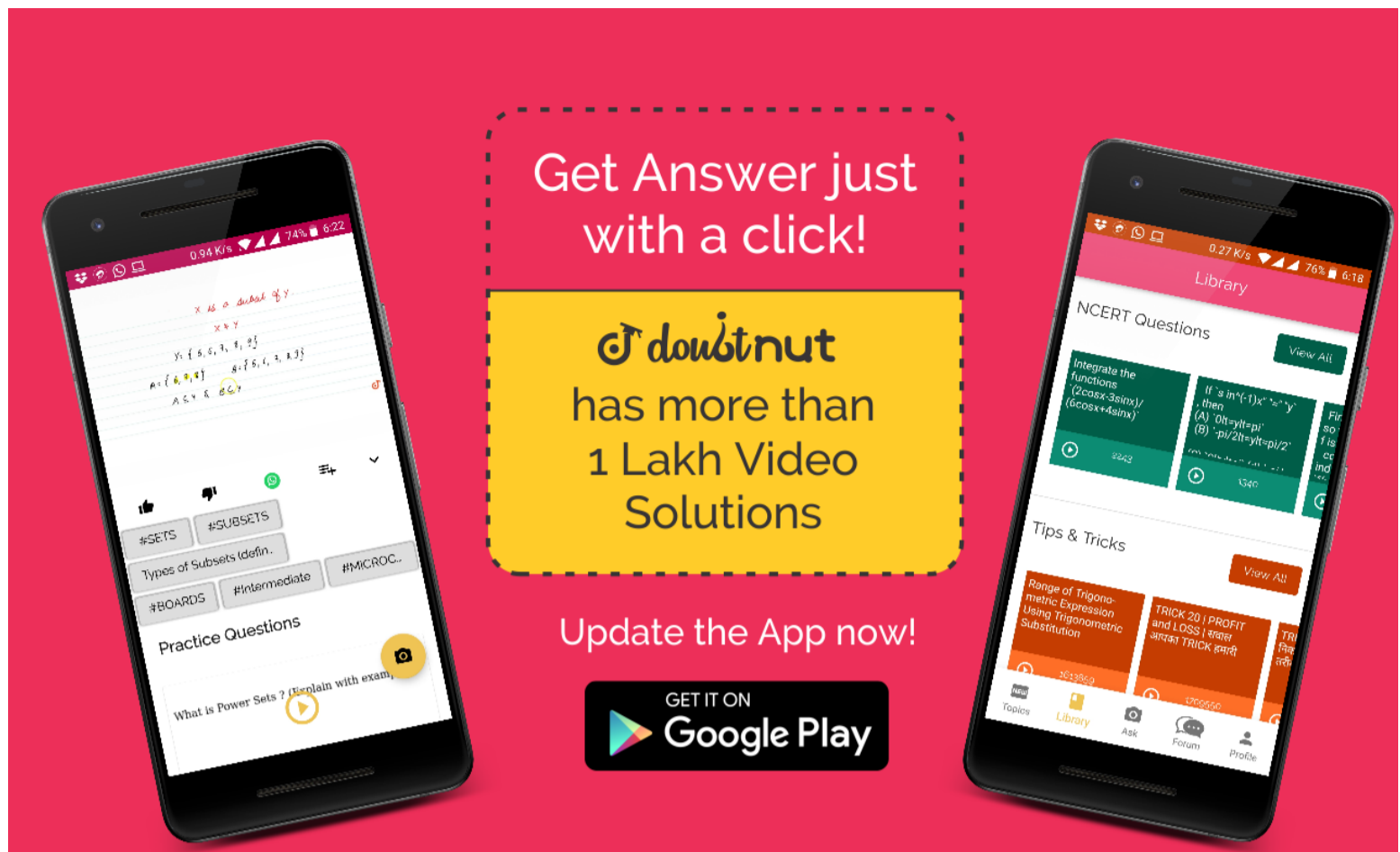
**JEE MAINS 12 APRIL 2019 - PAPER 1 SHIFT 1 -
MEMORY BASED - PHYSICS**

Two projectiles are thrown same speed in such a way that their ranges are equal. If the time of flights for the two projectiles are t_1 and t_2 the value of ' $t_1 t_2$ ' in terms of range ' R ' and ' g ' is

7 - 9677624

- (A) $\frac{R}{g}$
(B) $\frac{2R}{g}$
(C) $\frac{R}{2g}$
(D) $\frac{R}{4g}$

CORRECT OPTION: B



8 - 9677625

JEE MAINS 12 APRIL 2019 - PAPER 1 SHIFT 1 - MEMORY BASED - PHYSICS

A dipole is placed at the origin such that its dipole moment is $\vec{p} = -p\hat{i}, 0$. The electric field and potential at $(0, d, 0)$ respectively are :

- (A) $\frac{p}{4p\epsilon_0 d^3} \hat{i}, 0$
- (B) $\frac{-p}{4p\epsilon_0 d^3} \hat{i}, 0$
- (C) $\frac{2p}{4p\epsilon_0 d^3} \hat{i}, 0$
- (D) $\frac{2p}{4p\epsilon_0 d^3} \hat{i}, 0$

CORRECT OPTION: D

[© Watch Free Video Solution on Doubtnut](#)

9 - 9677626

**JEE MAINS 12 APRIL 2019 - PAPER 1 SHIFT 1 -
MEMORY BASED - PHYSICS**

Submarine A is going with speed of 18km/hr . Submarine B is chasing A with speed of 27km/hr . It sends frequency of 500Hz and hears after reflection from A . The

perceived frequency is :

$$(V_{\text{sound in water}} = 1500\text{m/s})$$

(A) 500Hz

(B) 502Hz

(C) 498Hz

(D) 504Hz

CORRECT OPTION: B

**JEE MAINS 12 APRIL 2019 - PAPER 1 SHIFT 1 -
MEMORY BASED - PHYSICS**

The electric field in space is given by

$$\vec{E} = E_0 \sin(\omega t + 6y - 8z)\hat{n}$$
 then the direction of

propagation of light wave is

(A) $\frac{-3\hat{j} - 4\hat{k}}{5}$

(B) $\frac{-3\hat{j} + 4\hat{k}}{5}$

(C) $\frac{-3\hat{i} - 4\hat{k}}{5}$

(D) $\frac{3\hat{i} - 4\hat{j}}{5}$

10 - 9677627

CORRECT OPTION: B

11 - 9677628

**JEE MAINS 12 APRIL 2019 - PAPER 1 SHIFT 1 -
MEMORY BASED - PHYSICS**

Dimension of resistance R in terms of μ_0 & ϵ_0 are

(A) $\sqrt{\frac{\mu_0}{\epsilon_0}}$

(B) $\sqrt{\frac{\epsilon_0}{\mu_0}}$

(C) $\frac{\epsilon_0}{\mu_0}$

(D) $\frac{\mu_0}{\epsilon_0}$

CORRECT OPTION: A

[© Watch Free Video Solution on Doubtnut](#)

12 - 9677629

**JEE MAINS 12 APRIL 2019 - PAPER 1 SHIFT 1 -
MEMORY BASED - PHYSICS**

In $YDSE$ when slab of thickness t and refractive index μ is placed in front of one slit then central maxima shifts by one fringe width. Find out t in terms of λ and μ .

$$(A) \frac{\lambda}{(2\mu - 1)}$$

$$(B) \frac{2\lambda}{(2\mu - 1)}$$

$$(C) \frac{\lambda}{(\mu - 1)}$$

$$(D) \frac{2\lambda}{(2\mu + 1)}$$

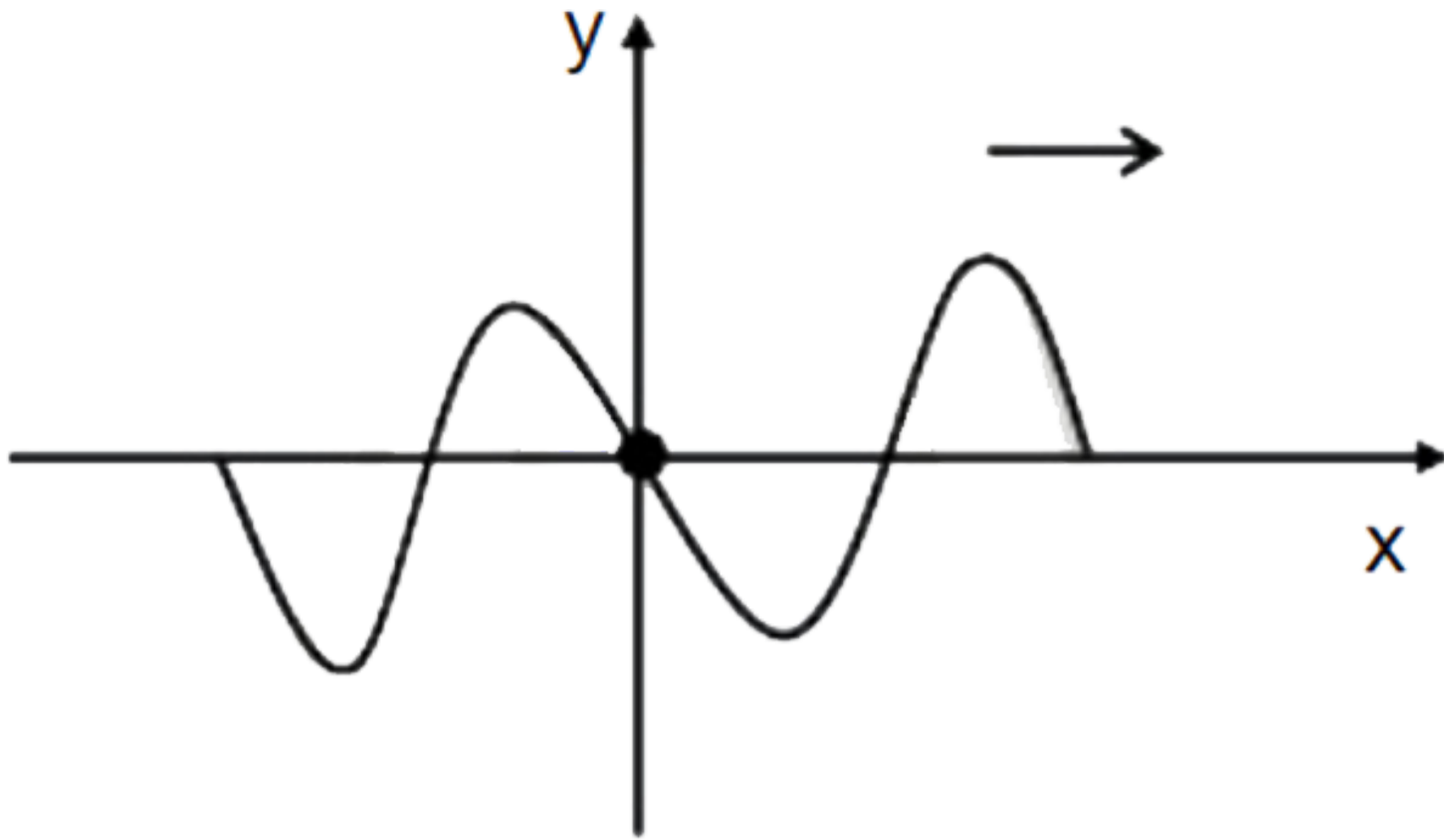
CORRECT OPTION: C

[📺 Watch Free Video Solution on Doubtnut](#)

13 - 9677630

**JEE MAINS 12 APRIL 2019 - PAPER 1 SHIFT 1 -
MEMORY BASED - PHYSICS**

A wave is propagating in positive x – direction. A time $t = 0$ its snapshot is taken as shown. If the wave equation is $y = A \sin(\omega t - Kx + \phi)$, then ϕ is

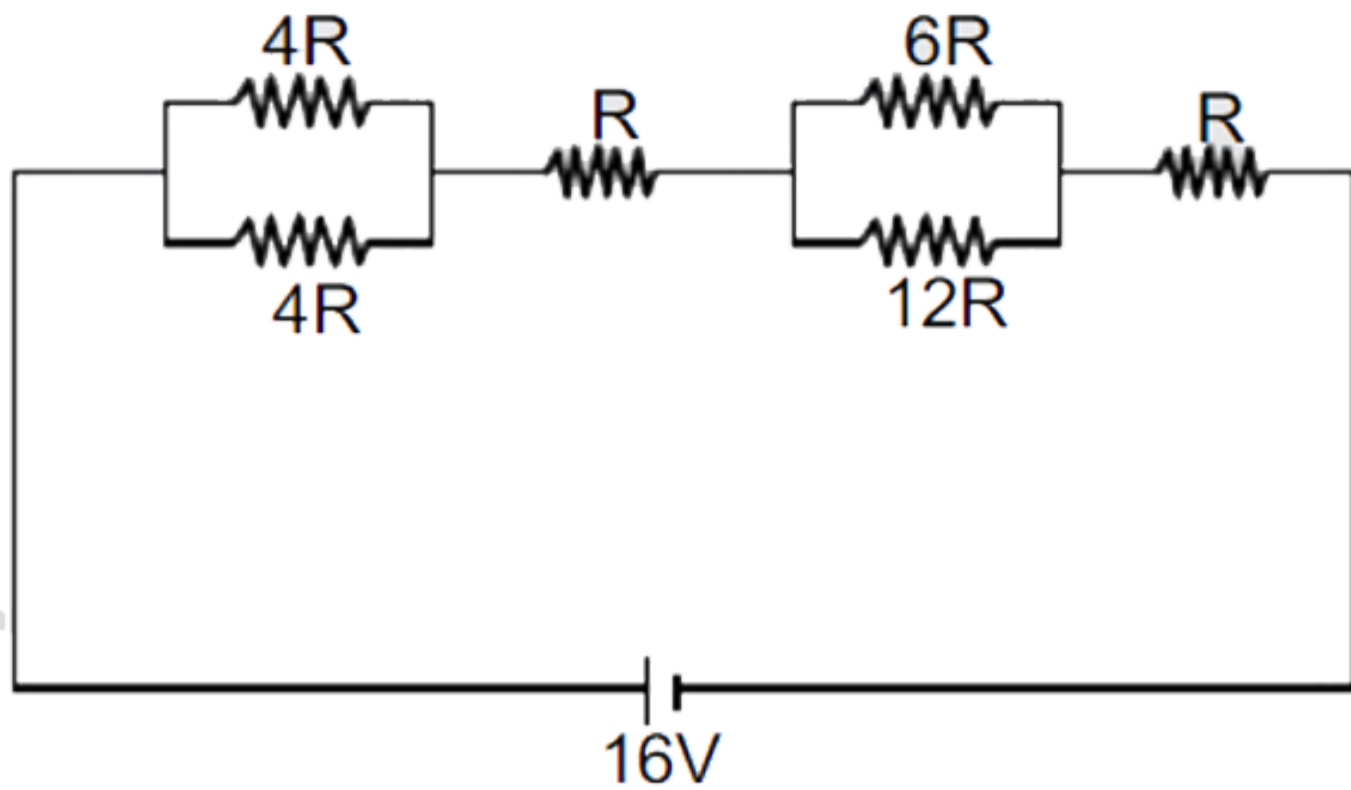


- (A) $\phi = 0$
- (B) $\phi \equiv \pi$
- (C) $\phi = \pi/2$
- (D) $\phi = 3\pi/2$

CORRECT OPTION: A

[© Watch Free Video Solution on Doubtnut](#)

If the power dissipated in the circuit is $4W$ then the value of R is:



- (A) 4Ω
- (B) 8Ω
- (C) 16Ω
- (D) 12Ω

CORRECT OPTION: B

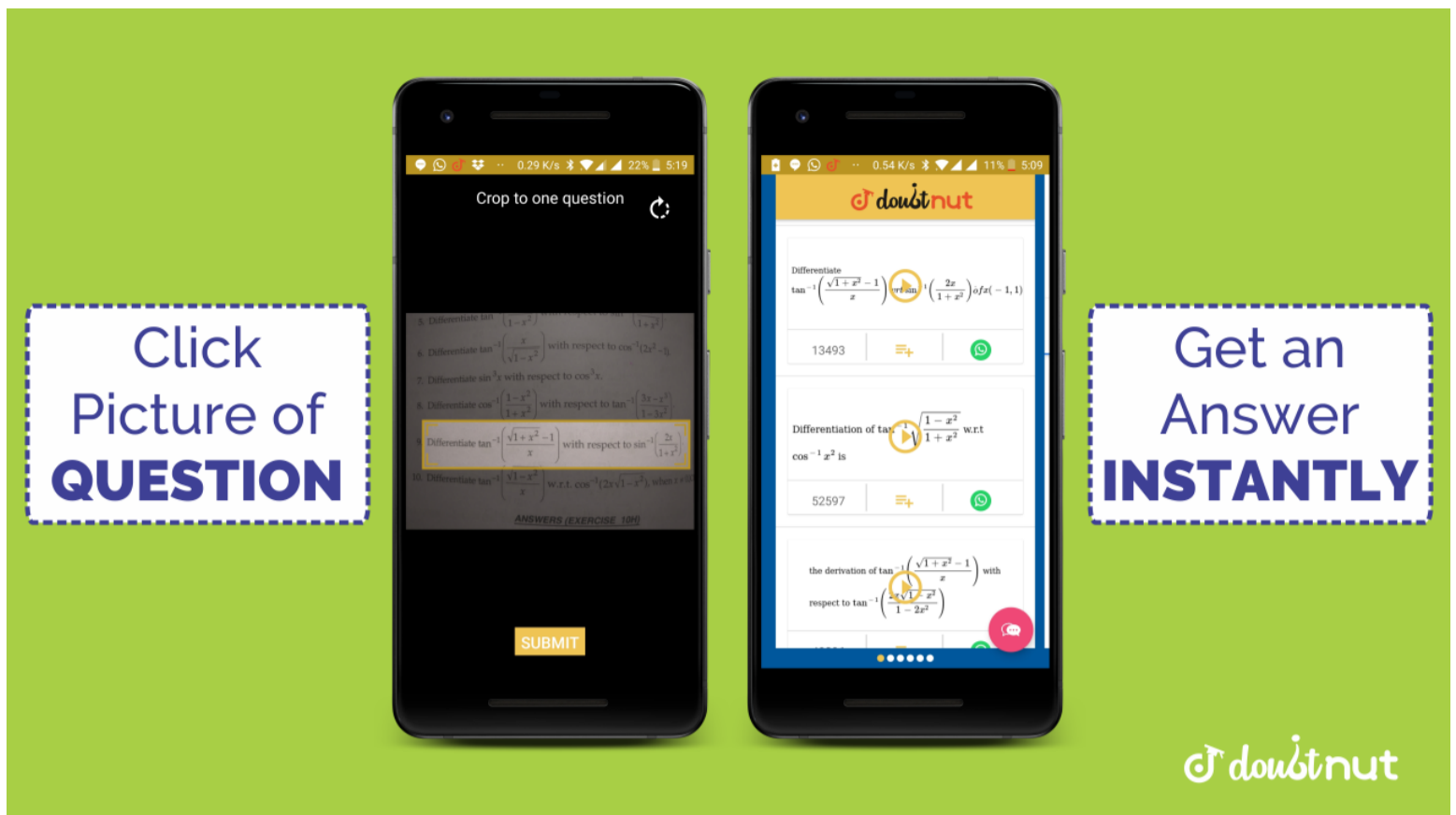
[© Watch Free Video Solution on Doubtnut](#)

Equation of trajectory of ground to ground projectile is $y = 2x - 9x^2$. Then the angle of projection with horizontal and speed of projection is : ($g = 10m / s^2$)

- (A) $\tan^{-1}(2), \frac{5}{2}m / s$
- (B) $\tan^{-1}(3), \frac{5}{3}m / s$
- (C) $\tan^{-1}(2), \frac{2}{3}, \frac{2}{3}m / s$
- (D) $\tan^{-1}(3), \frac{2}{3}m / s$

CORRECT OPTION: A

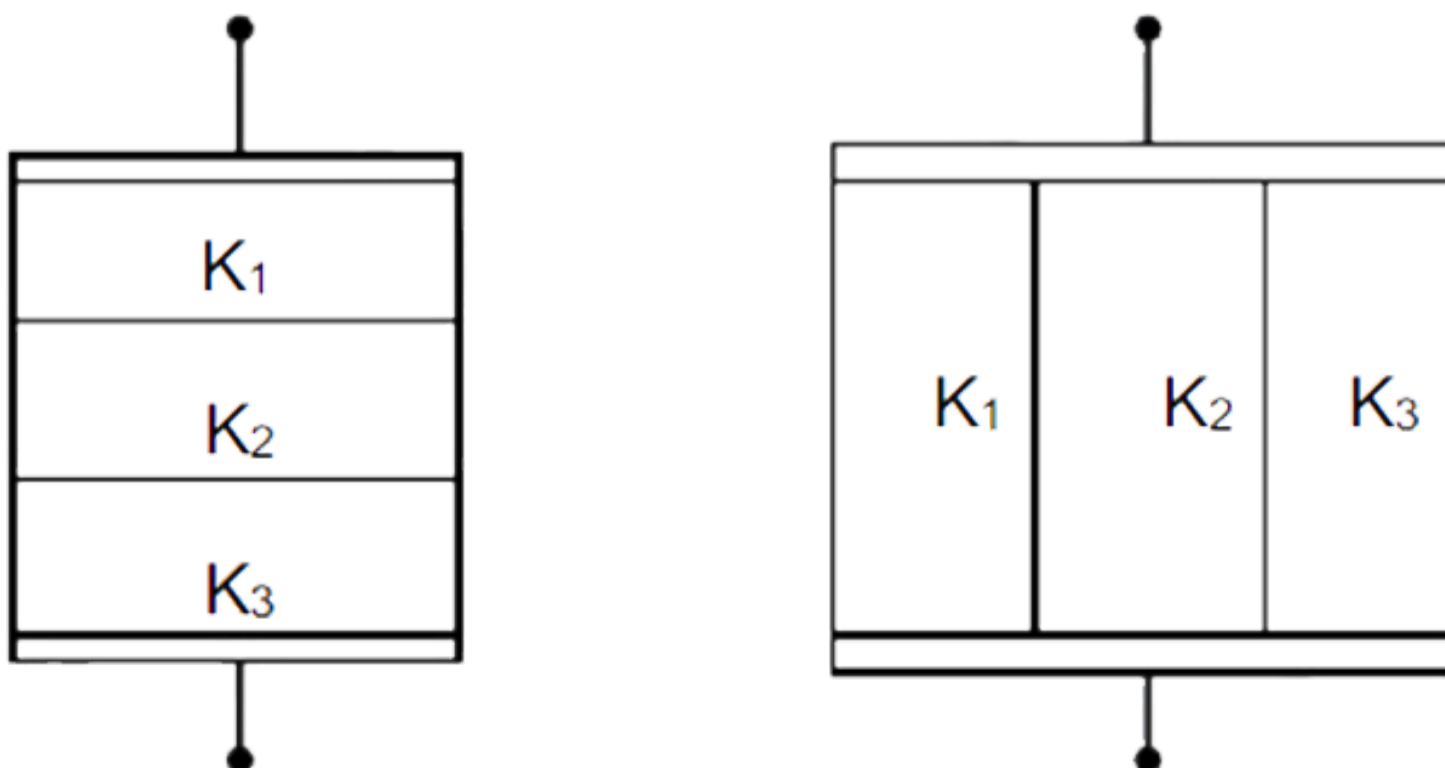
[👁 Watch Free Video Solution on Doubtnut](#)



16 - 9677633

JEE MAINS 12 APRIL 2019 - PAPER 1 SHIFT 1 - MEMORY BASED - PHYSICS

Two parallel plate capacitors are filled with dielectrics and connected separately across same potential difference as shown in figure. Their plate area is A and separation between plates is ' d '. Then the ration of energy stored is:



- (A)
$$\frac{9K_1K_2K_3}{(K_1K_2 + K_2K_3 + K_3K_1)(K_1 + K_2 + K_3)}$$
- (B)
$$\frac{5K_1K_2K_3}{(K_1K_2 + K_2K_3 + K_3K_1)(K_1 + K_2 + K_3)}$$
- (C)
$$\frac{6K_1K_2K_3}{(K_1K_2 + K_2K_3 + K_3K_1)(K_1 + K_2 + K_3)}$$
- (D)
$$\frac{3K_1K_2K_3}{(K_1K_2 + K_2K_3 + K_3K_1)(K_1 + K_2 + K_3)}$$

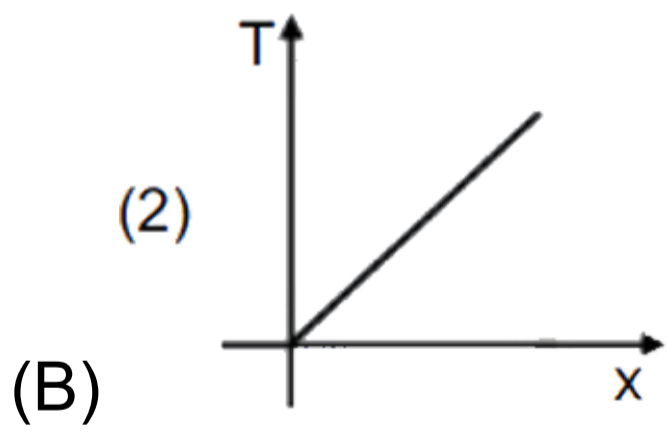
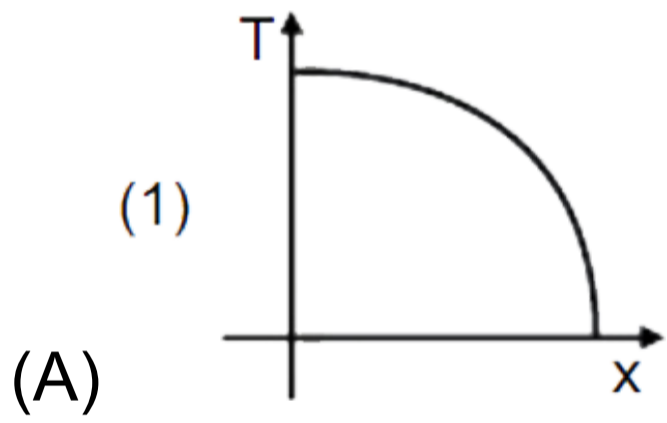
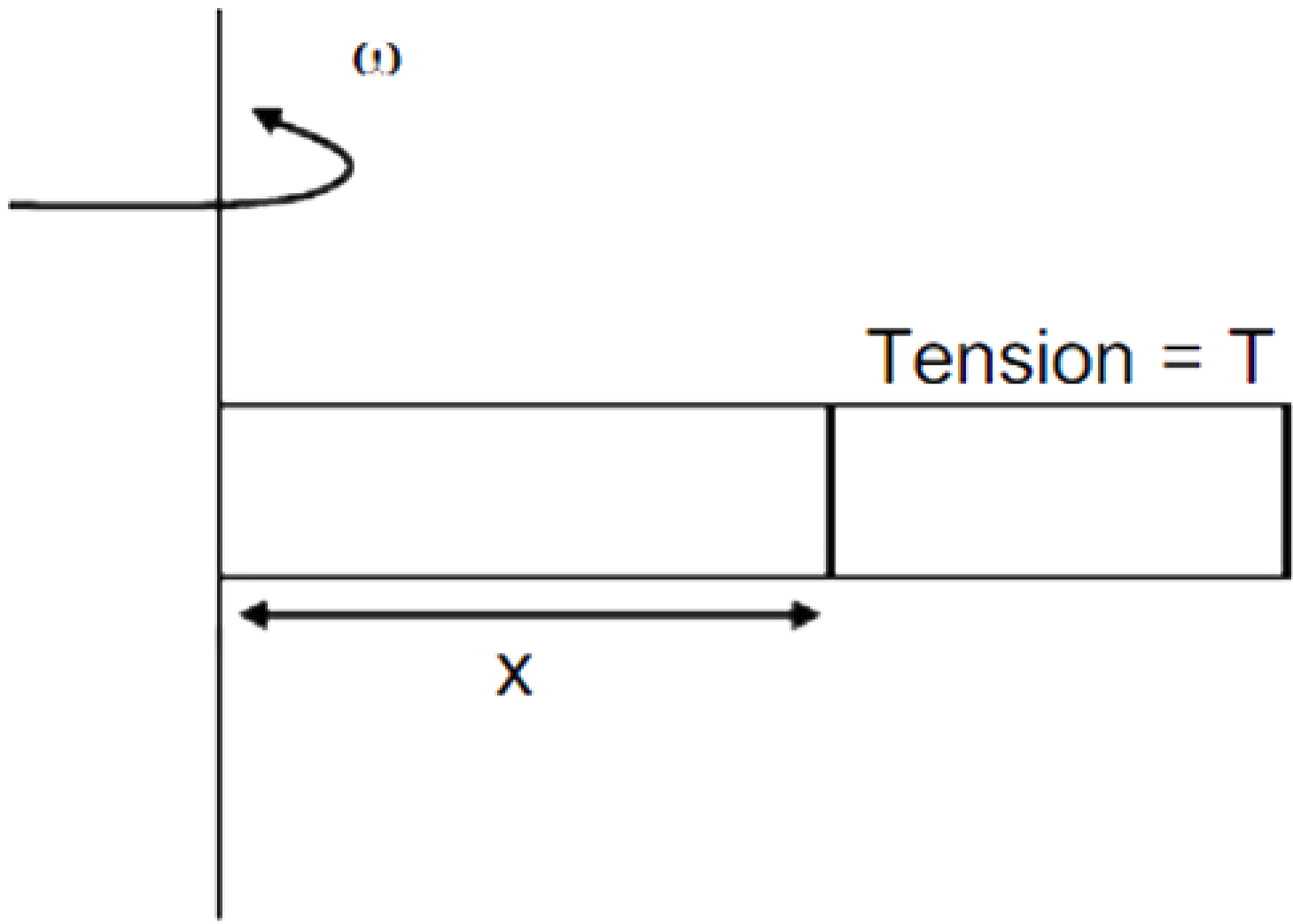
CORRECT OPTION: A

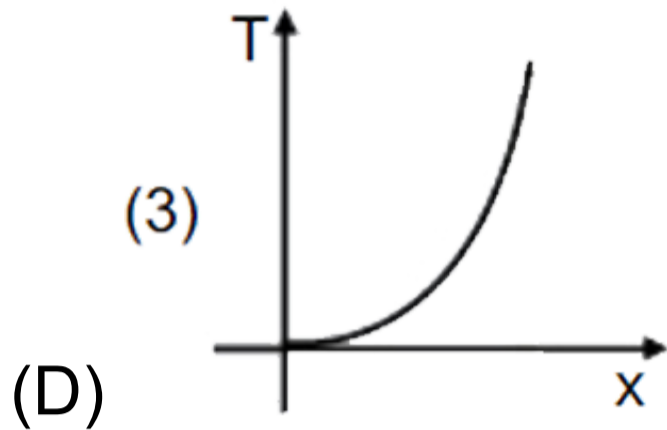
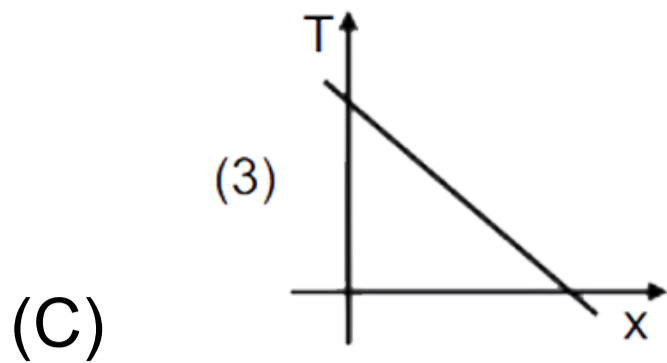
[📺 Watch Free Video Solution on Doubtnut](#)

17 - 9677634

**JEE MAINS 12 APRIL 2019 - PAPER 1 SHIFT 1 -
MEMORY BASED - PHYSICS**

A uniform rod of length l is rotating with constant angular speed ω as shown in figure. Choose the graph which correctly shows the variation of T with x .





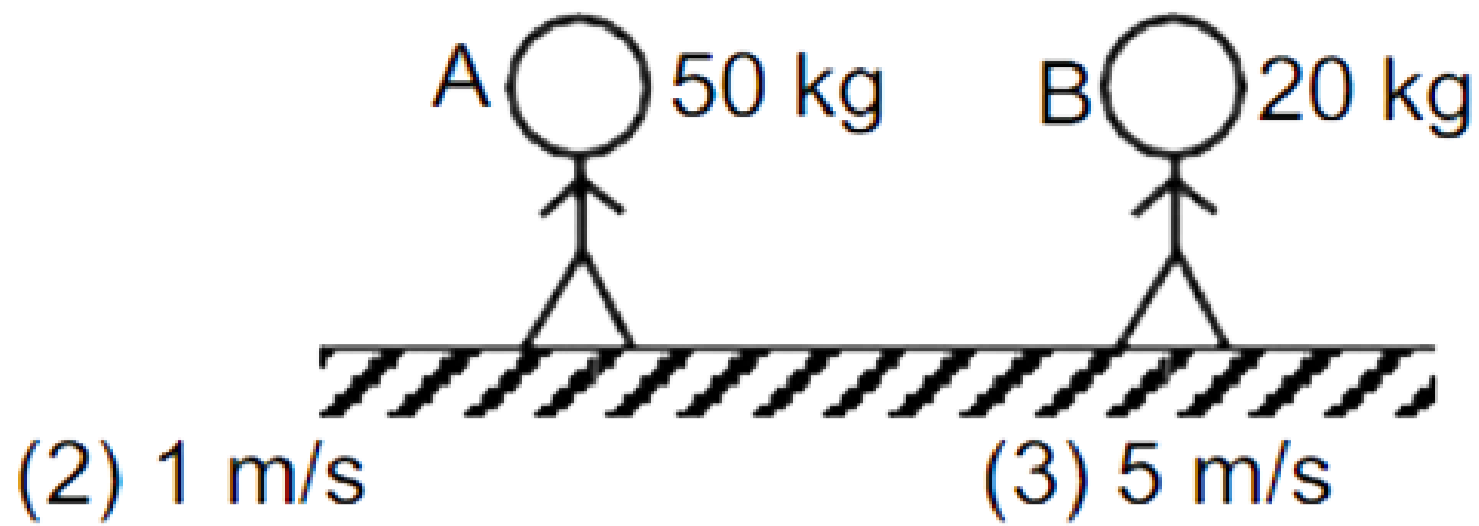
CORRECT OPTION: A

[📺 Watch Free Video Solution on Doubtnut](#)

18 - 9677635

**JEE MAINS 12 APRIL 2019 - PAPER 1 SHIFT 1 -
MEMORY BASED - PHYSICS**

Two men A and B of masses 50kg and 20g respectively are at rest on a frictionless surface as shown in figure. If A pushes B with relative velocity 0.7m/s then find velocity of A just after the push.



(A) 0.5 m/s

(B) 1 m/s

(C) 5 m/s

(D) 4 m/s

CORRECT OPTION: A

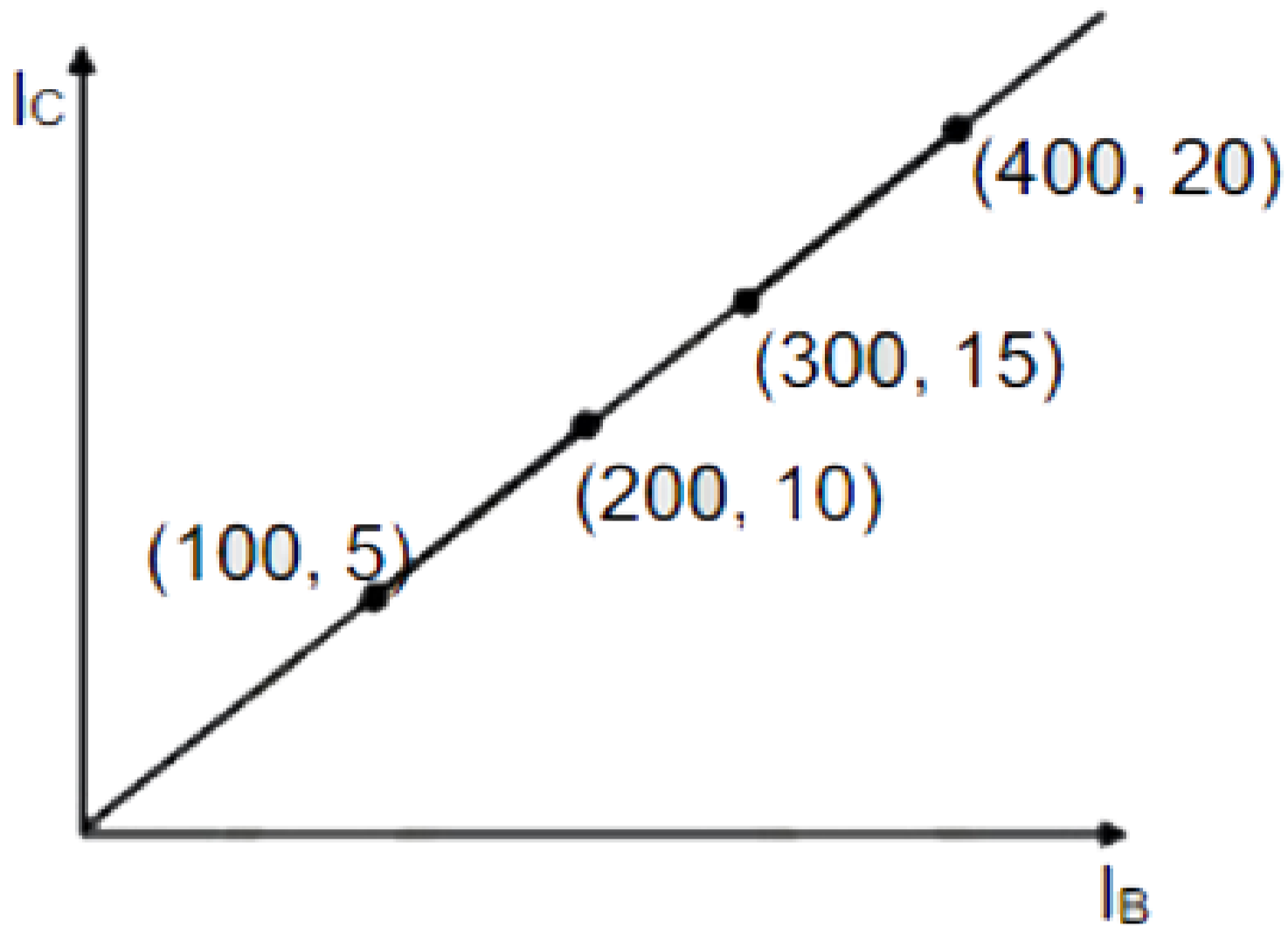
[Watch Free Video Solution on Doubtnut](#)

19 - 9677636

JEE MAINS 12 APRIL 2019 - PAPER 1 SHIFT 1 - MEMORY BASED - PHYSICS

Graph between output current (I_c) and input current (I_B) for common emitter of $n - p - n$ transistor is given in the figure. If input resistance is 100Ω and output resistance is

$100K\omega$. Find out voltage gain and power gain are



- (A) $2 \times 10^4, 4 \times 10^6$
- (B) $3 \times 10^4, 9 \times 10^6$
- (C) $6 \times 10^4, 8 \times 10^6$
- (D) $8 \times 10^4, 2 \times 10^6$

CORRECT OPTION: A

[© Watch Free Video Solution on Doubtnut](#)

MEMORY BASED - PHYSICS

A point charge is moving in a circular path of radius 10cm with angular frequency 40π rad/s. The magnetic field produced by it at the center is $3.8 \times 10^{-10}\text{T}$. Then the value of charge is:

(A) $3\mu\text{C}$

(B) $4\mu\text{C}$

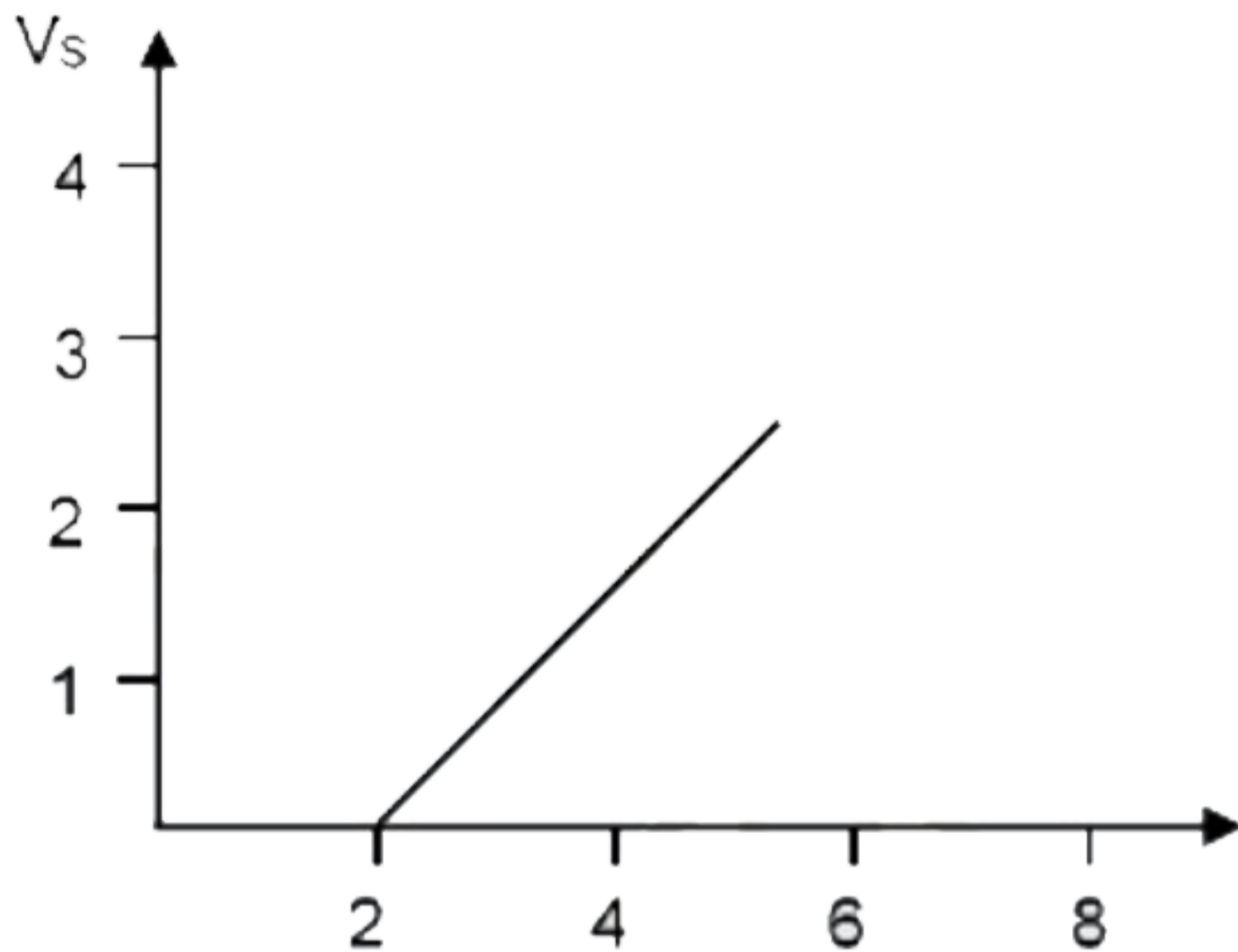
(C) $1\mu\text{C}$

(D) $9\mu\text{C}$

CORRECT OPTION: A

[© Watch Free Video Solution on Doubtnut](#)

Graph between stopping potential and frequency of photon is given in figure



Find out work function of metal:

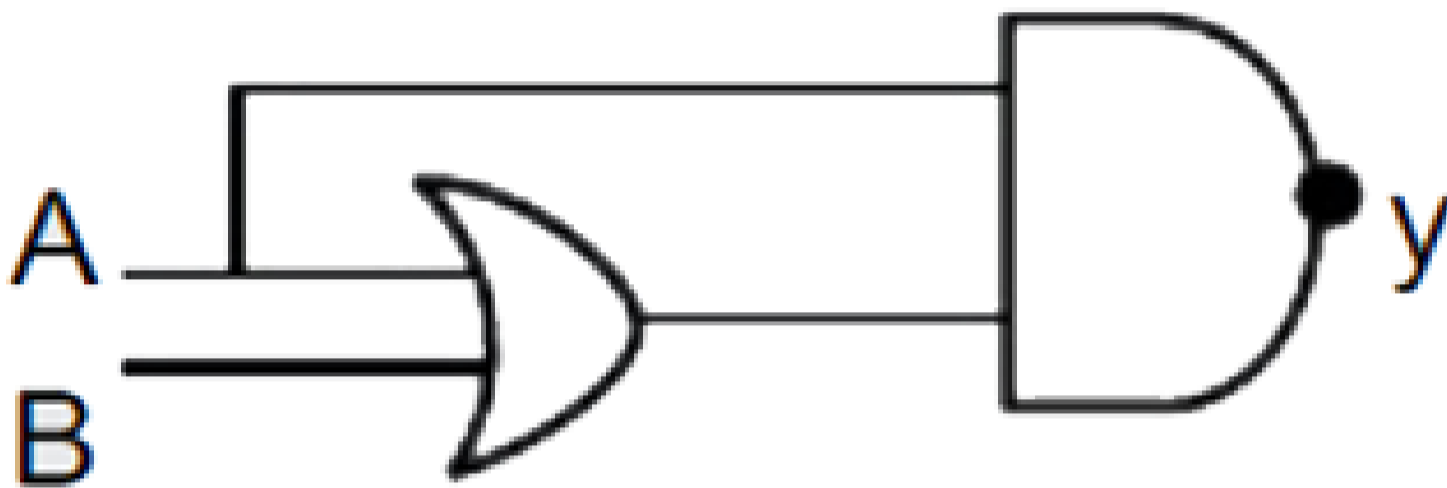
- (A) 0.82
- (B) 0.92
- (C) 0.72
- (D) 0.62

CORRECT OPTION: A

22 - 9677639

**JEE MAINS 12 APRIL 2019 - PAPER 1 SHIFT 1 -
MEMORY BASED - PHYSICS**

Logic gate for input A and B is given in figure



Which table is correct for given gates system.

| | | | |
|-----|-----|-----|-----|
| | A | B | Y |
| | 0 | 0 | 0 |
| (A) | 1 | 0 | 1 |
| | 0 | 1 | 0 |
| | 1 | 1 | 1 |
| | A | B | Y |
| | 0 | 0 | 0 |
| (B) | 1 | 0 | 1 |
| | 0 | 1 | 1 |
| | 1 | 1 | 0 |

| | | | |
|-----|----------|----------|----------|
| | <i>A</i> | <i>B</i> | <i>Y</i> |
| | 0 | 0 | 1 |
| (C) | 1 | 0 | 0 |
| | 0 | 1 | 1 |
| | 1 | 1 | 0 |
| | <i>A</i> | <i>B</i> | <i>Y</i> |
| | 0 | 0 | 1 |
| (D) | 1 | 0 | 1 |
| | 0 | 1 | 0 |
| | 1 | 1 | 0 |

CORRECT OPTION: A

[© Watch Free Video Solution on Doubtnut](#)

23 - 9677640

**JEE MAINS 12 APRIL 2019 - PAPER 1 SHIFT 1 -
MEMORY BASED - PHYSICS**

If aperture diameter of the lens of a telescope is 1.25 m and wavelength of light used is 5000 Å its resolving power is

(A) 2.05×10^6

(B) 2.5×10^5

(C) 4.1×10^5

(D) 4.1×10^6

CORRECT OPTION: A

[📺 Watch Free Video Solution on Doubtnut](#)



Get Solutions as YOU TYPE

Click Here to TYPE & ASK

find the equation of tangent a

Find the equation of tangent to the curve 'x=a(th...

Find the equation of tangent to the curve 'x=a(th...

Find the equation of tangent to the curve 'y=sin^(-1...

If '3x+y=4' is a tangent to a circle whose center is ...

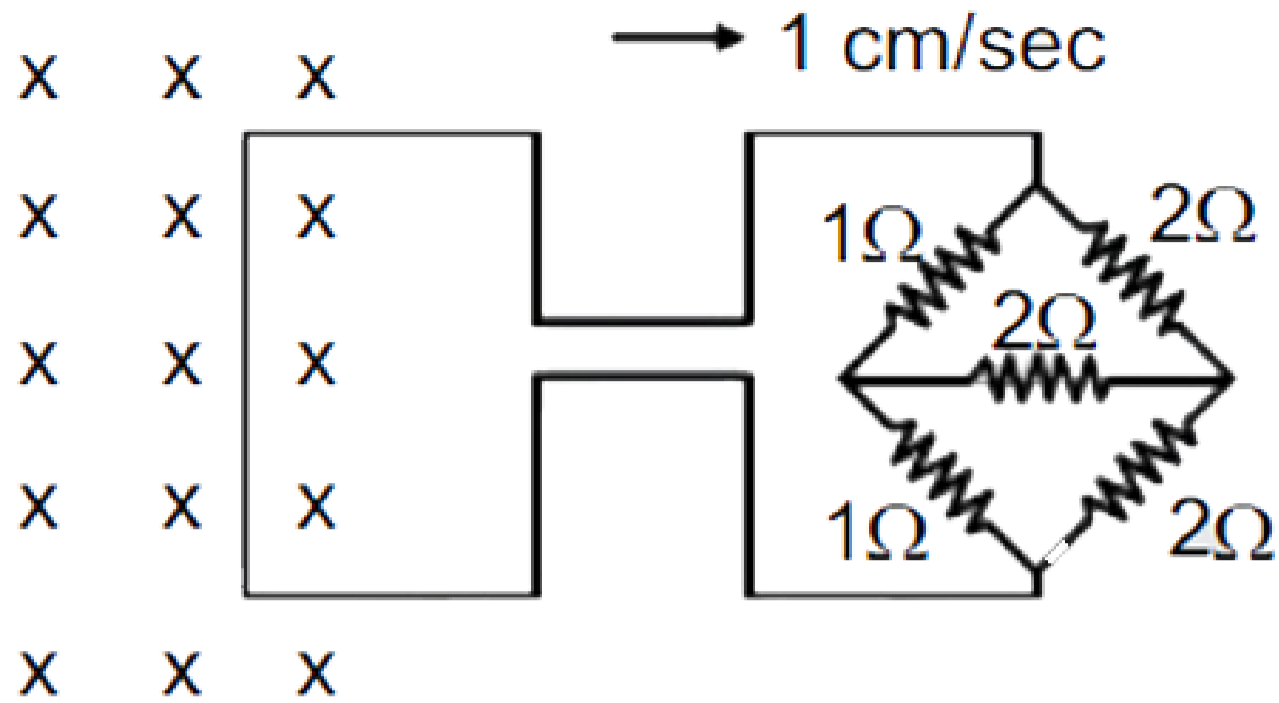
Find the equation of tangent to 'y=int_(x^2)^(x^3)(...

doubtnut

24 - 9677642

JEE MAINS 12 APRIL 2019 - PAPER 1 SHIFT 1 - MEMORY BASED - PHYSICS

A square wire of resistance 1.3Ω and side 1cm is moving in uniform magnetic field $B = 1\text{T}$ with speed $1\text{cm}/\text{sec}$ as shown in figure then the current in loop is :



(2) $54 \mu A$

(3) $61 \mu A$

(A) $41 \mu A$

(B) $54 \mu A$

(C) $61 \mu A$

(D) $31 \mu A$

CORRECT OPTION: C

[📺 Watch Free Video Solution on Doubtnut](#)



Get Answer just
with a click!

 **doubtnut**
has more than
1 Lakh Video
Solutions

Update the App now!

