

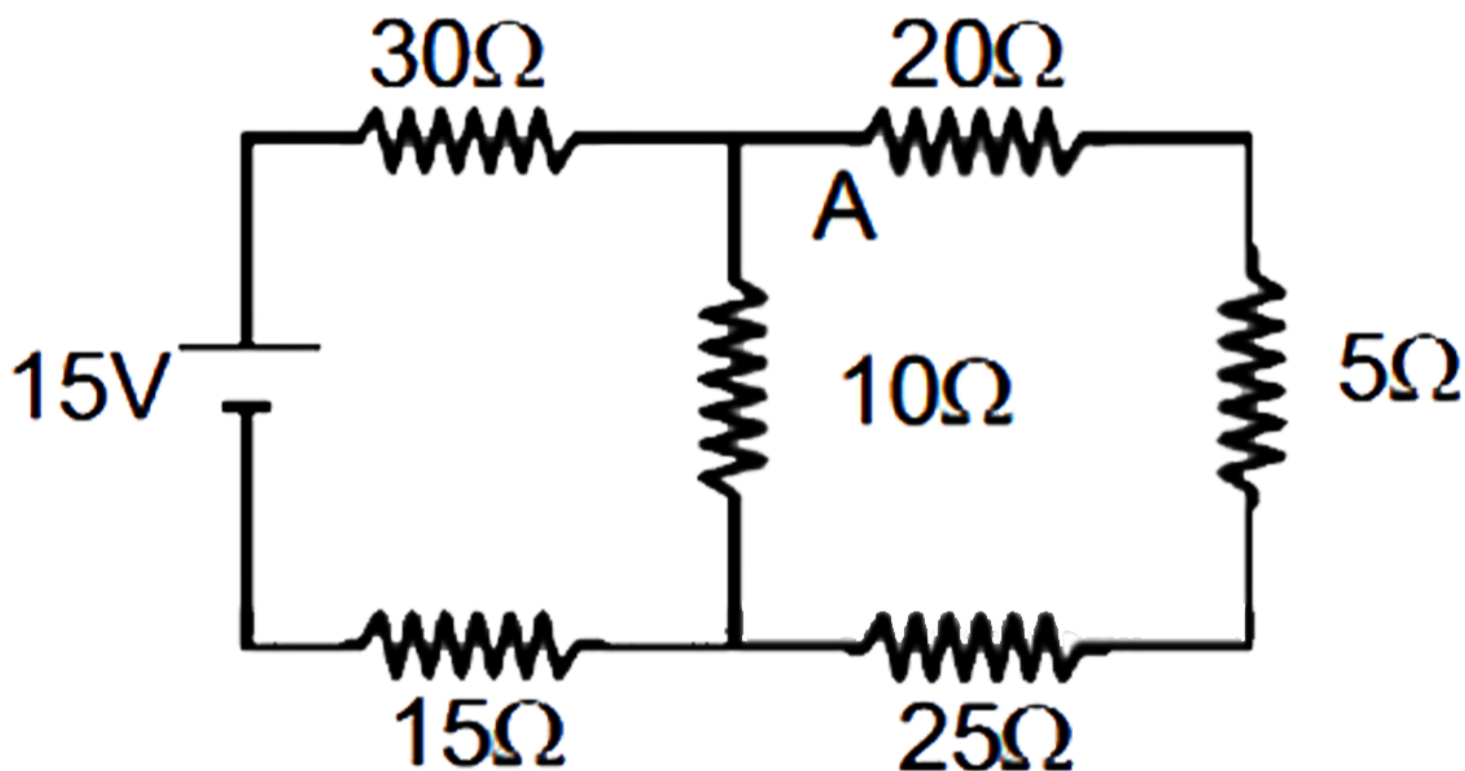
Ques No.

Question

1 - 9407406

**JEE MAINS 08 APRIL 2019 - PAPER 1 SHIFT 2 -
MEMORY BASED - PHYSICS**

In the circuit given below, find the total current drawn from the battery is



- (A) $\frac{3}{24}$
(B) $\frac{14}{25}$
(C) $\frac{9}{32}$
(D) $\frac{3}{20}$

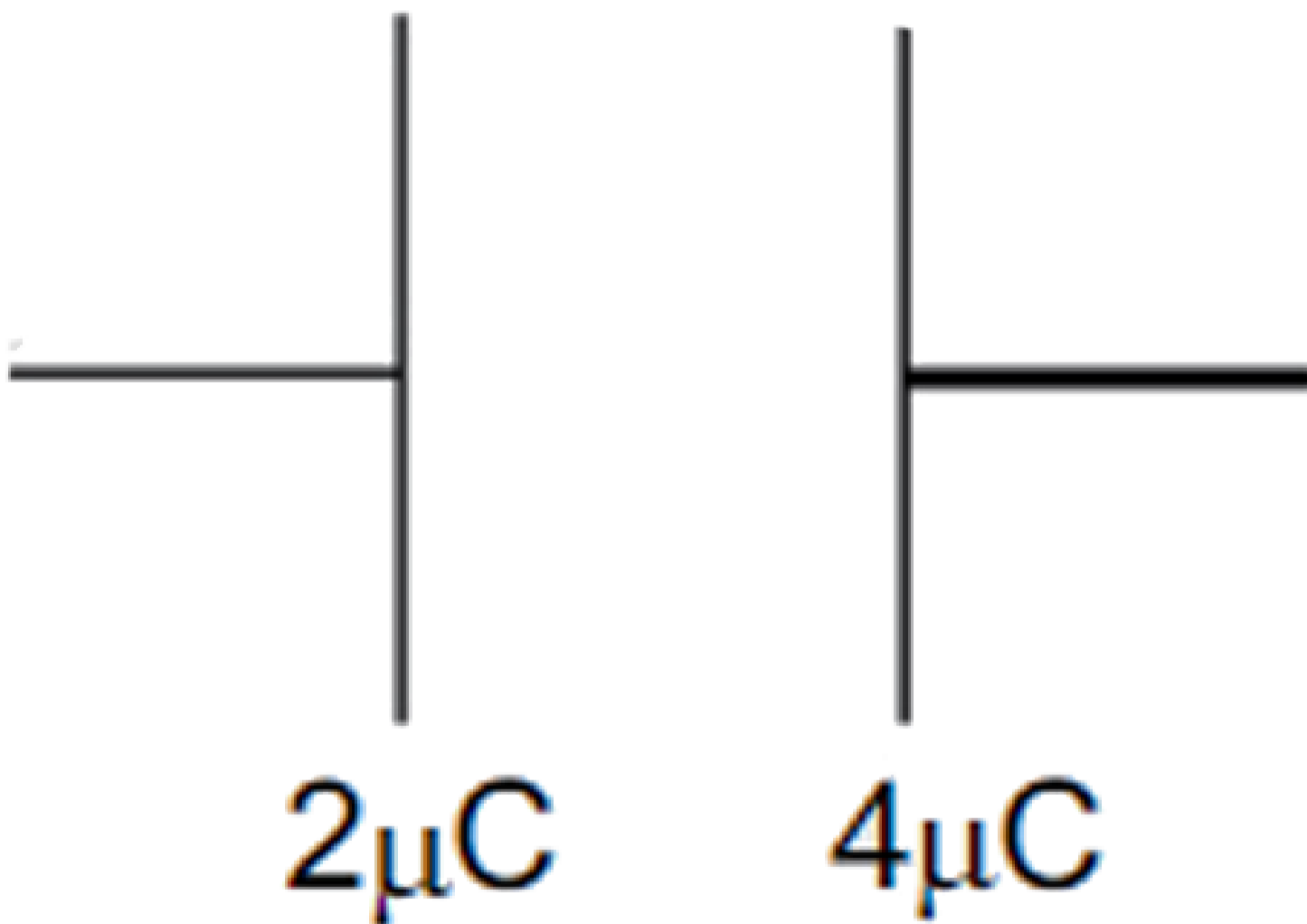
CORRECT OPTION: C

[© Watch Free Video Solution on Doubtnut](#)

2 - 9407407

**JEE MAINS 08 APRIL 2019 - PAPER 1 SHIFT 2 -
MEMORY BASED - PHYSICS**

In a parallel plate capacitor of capacitor $1\mu F$ two plates are given charges $2\mu C$ and $4\mu C$ the potential difference between the plates of the capacitor is



(A) 2 volt

(B) 1 volt

(C) 4 volt

(D) 3 volt

CORRECT OPTION: B

[📺 Watch Free Video Solution on Doubtnut](#)

3 - 9407408

**JEE MAINS 08 APRIL 2019 - PAPER 1 SHIFT 2 -
MEMORY BASED - PHYSICS**

Two elastic wire A & B having length $l_A = 2m$ and $l_B = 1.5m$ have young's modules ratio $\frac{Y_A}{Y_B} = \frac{7}{4}$. If $r_B = 2mm$ then the radius of A given that due to application of the same force change in length in both A & B is same

(A) $1.7mm$

(B) $1.9mm$

(C) 2.7mm

(D) 2mm

CORRECT OPTION: A

[📺 Watch Free Video Solution on Doubtnut](#)

4 - 9407409

**JEE MAINS 08 APRIL 2019 - PAPER 1 SHIFT 2 -
MEMORY BASED - PHYSICS**

Light of wavelength λ is incident on metal surface. Work function of metal is very small compare to kinetic energy of photon. If light of wave length λ' is incident on metal surface then linear momentum of ' e ' becomes 1.5 of initial, find out λ' .

(A) $\left(\frac{9\lambda}{4}\right)$

(B) $\left(\frac{3\lambda}{4}\right)$

(C) $\left(\frac{3\lambda}{2}\right)$
(D) $\left(\frac{4\lambda}{9}\right)$

CORRECT OPTION: D

[© Watch Free Video Solution on Doubtnut](#)

5 - 9407410

**JEE MAINS 08 APRIL 2019 - PAPER 1 SHIFT 2 -
MEMORY BASED - PHYSICS**

Two balls of mass m_1 and m_2 where $m_2 = 0.5m_1$, undergo head on collision as shown in figure.



After collision the situation is as shown



If $V_3 = 0.5v_1$. Value of V_4 is

$$(A) v_4 = v_1 + v_2$$

$$(B) v_4 = v_1 + 2v_2$$

$$(C) v_4 = 2v_1 + v_2$$

$$(D) v_4 = 2v_1 + 3v_2$$

CORRECT OPTION: A

[© Watch Free Video Solution on Doubtnut](#)

6 - 9407411

**JEE MAINS 08 APRIL 2019 - PAPER 1 SHIFT 2 -
MEMORY BASED - PHYSICS**

A electric dipole is in equilibrium having charge q and $-q$ are placed at distance ' d ' are placed at distance ' d ' in a uniform electric field E . Each charge has mass ' m '. If dipole is displaced by small angle. Then its angular frequency of oscillation.

(A) $\sqrt{\frac{3qE}{md}}$ (B) $\sqrt{\frac{qE}{2md}}$ (C) $\sqrt{\frac{2qE}{md}}$
(D) $\sqrt{\frac{2eE}{3md}}$

CORRECT OPTION: C

[👁 Watch Free Video Solution on Doubtnut](#)

**JEE MAINS 08 APRIL 2019 - PAPER 1 SHIFT 2 -
MEMORY BASED - PHYSICS**

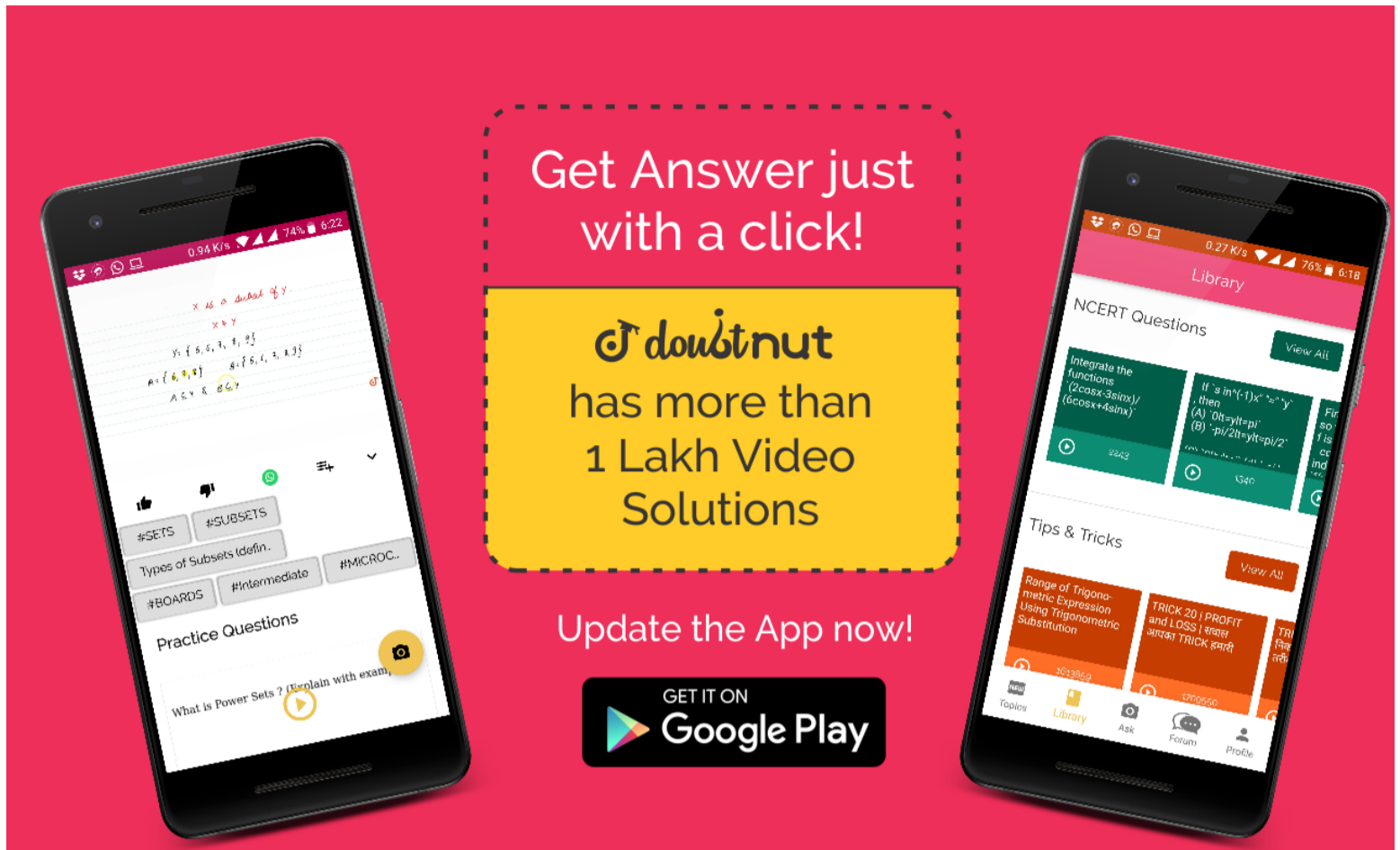
A_1 and A_2 are two vectors such that $|A_1| = 3$, $|A_2| = 5$

and $|A_1 + A_2| = 5$ the value of $(2A_1 + 3A_2) \cdot (2A_1 - 2A_2)$ is

(A) $\frac{237}{2}$ (B) -123 (C) $-\frac{337}{2}$ (D) $\frac{337}{2}$

CORRECT OPTION: B

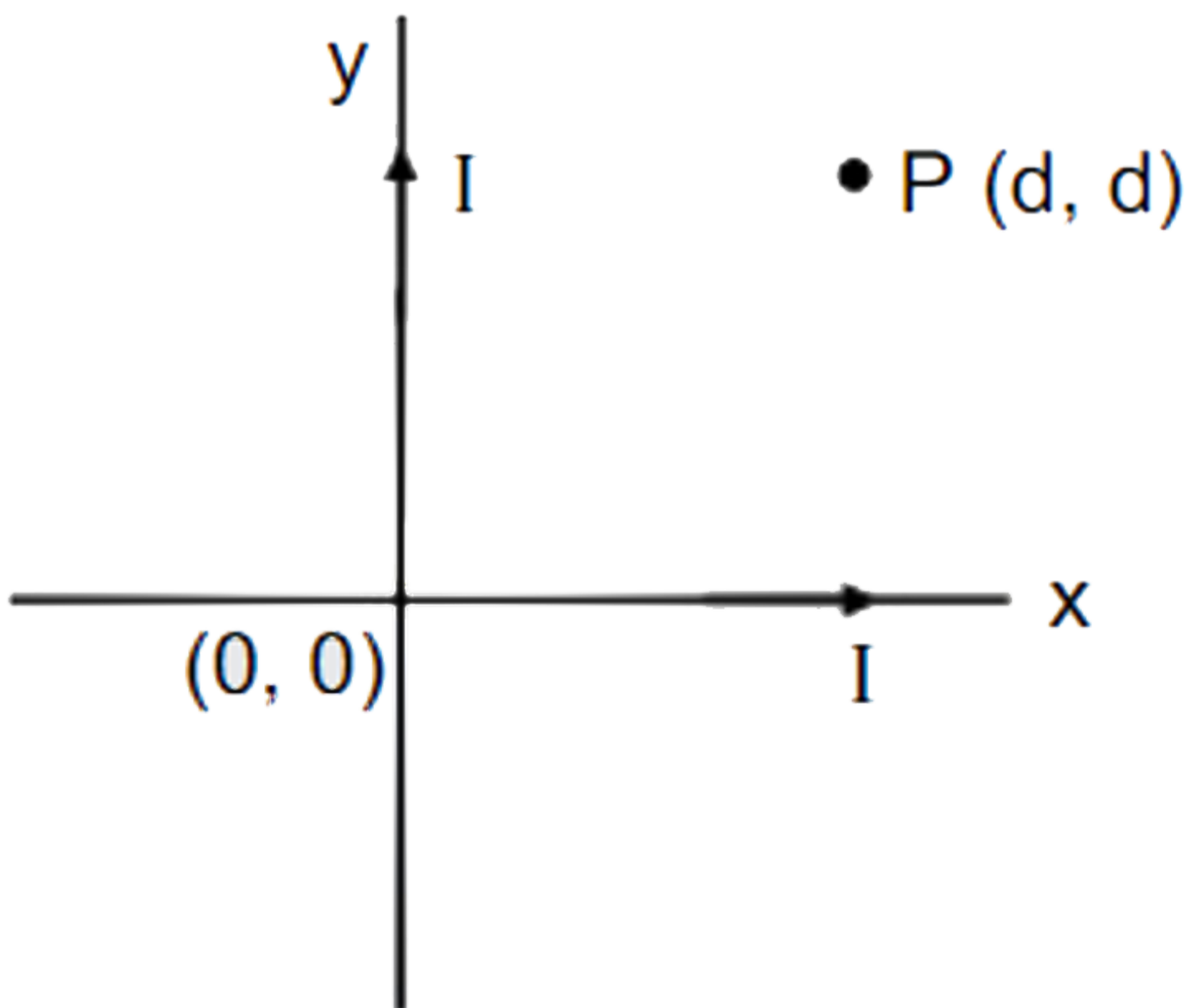
[👁 Watch Free Video Solution on Doubtnut](#)



8 - 9407413

JEE MAINS 08 APRIL 2019 - PAPER 1 SHIFT 2 - MEMORY BASED - PHYSICS

Two perpendicular infinite wires are carrying current i as shown in the figure. The magnetic field at point P is :



(A) $\frac{\mu_0 I}{\pi d}$

(B) $\frac{\mu_0 I}{2\pi d}$

(C) $\frac{\mu_0 I}{2\pi d}$

(D) Zero

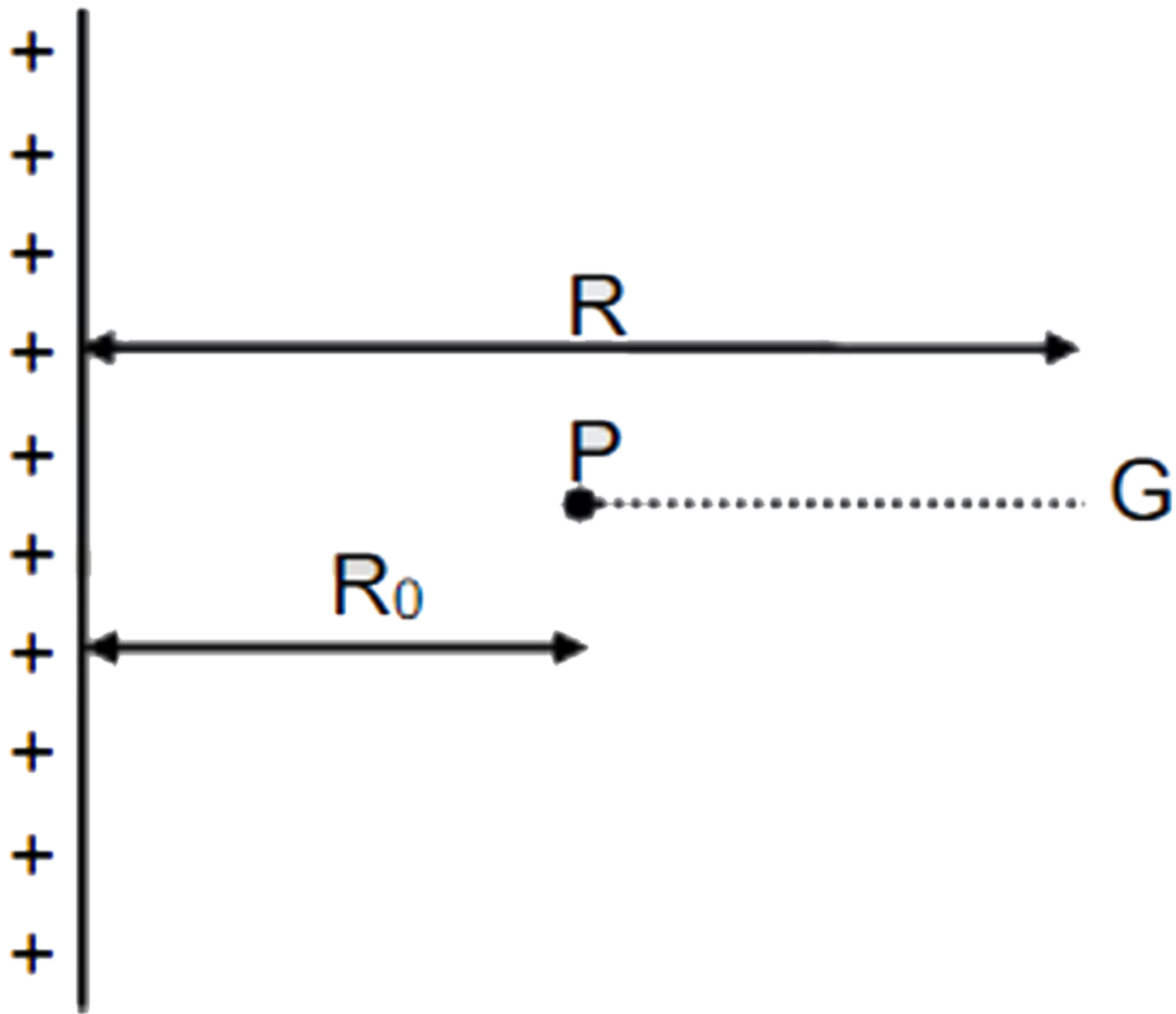
CORRECT OPTION: D

[📺 Watch Free Video Solution on Doubtnut](#)

9 - 9407414

**JEE MAINS 08 APRIL 2019 - PAPER 1 SHIFT 2 -
MEMORY BASED - PHYSICS**

A charge particle q is released at a distance R_0 from the infinite long wire of linear charge density λ . Then velocity will be proportional to (At distance R from the wire)



(A) R^3

(B) e^{R/R_0}

(C) R^2

(D) $\left[n \left(\frac{R}{R_0} \right) \right]^{-1/2}$

CORRECT OPTION: D

[© Watch Free Video Solution on Doubtnut](#)

MEMORY BASED - PHYSICS

A particle is performing damped oscillation with frequency 5 Hz . After every 10 oscillations its amplitude becomes half.

Find time from beginning after which the amplitude becomes $1/1000$ of its initial amplitude :

(A) 10 s

(B) 20 s

(C) 25 s

(D) 50 s

CORRECT OPTION: B

[© Watch Free Video Solution on Doubtnut](#)

A battery is of emf E and internal resistance r . The value of external resistance R so that the power across external resistance is maximum :

- (A) R
- (B) $2R$
- (C) $R/2$
- (D) $R/4$

CORRECT OPTION: A

[© Watch Free Video Solution on Doubtnut](#)

12 - 9407417

JEE MAINS 08 APRIL 2019 - PAPER 1 SHIFT 2 - MEMORY BASED - PHYSICS

If plank's constant (h), surface tension (s) and moment of inertia (I) are taken as fundamental quantities, then dimensions of linear momentum (p) will be given as

(A) $hs^2I^{1/2}$

(B) $h^{1/2}s^{1/2}I$

(C) $h^0s^{1/2}I^{1/2}$

(D) none of these

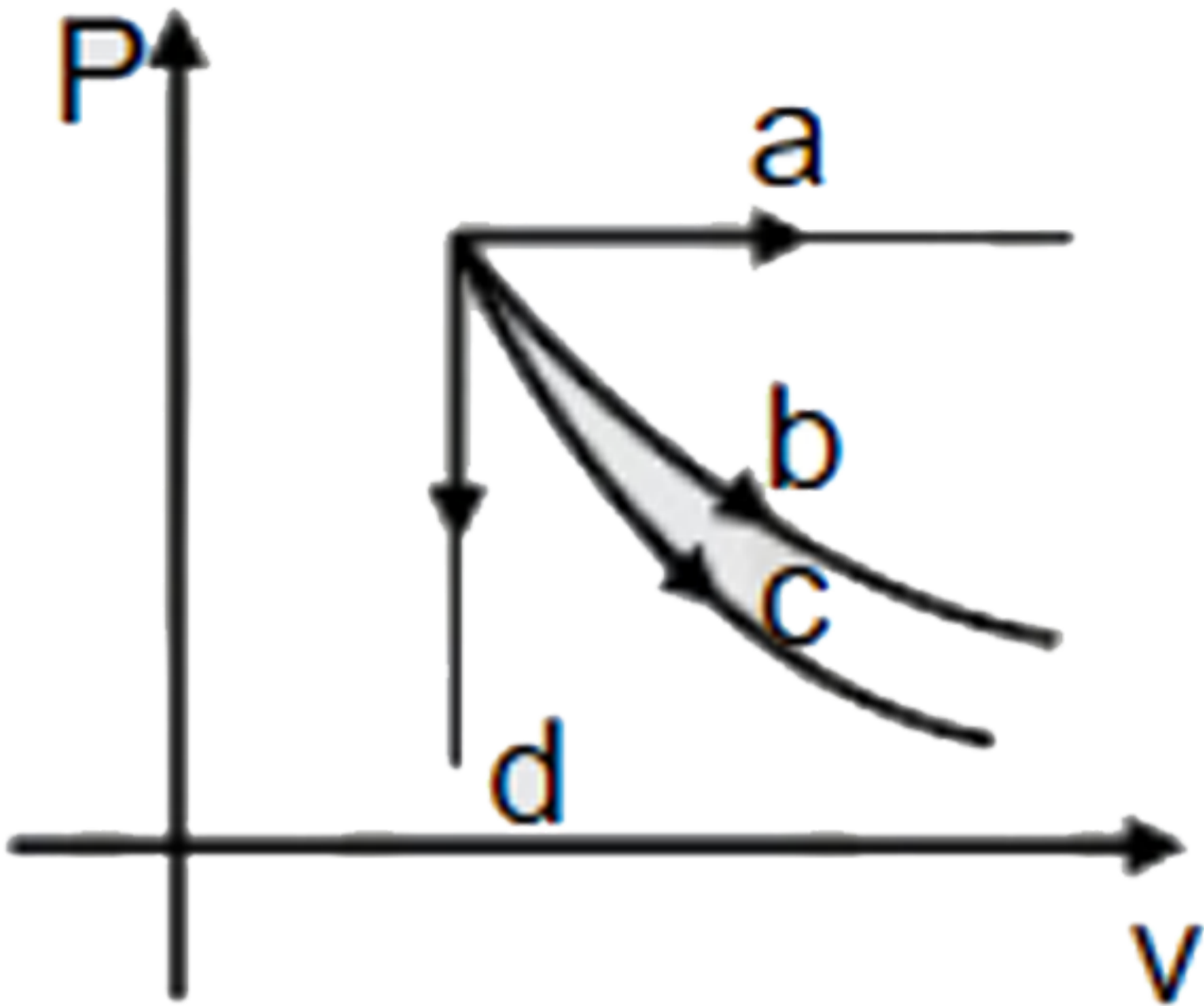
CORRECT OPTION: C

[📺 Watch Free Video Solution on Doubtnut](#)

13 - 9407418

**JEE MAINS 08 APRIL 2019 - PAPER 1 SHIFT 2 -
MEMORY BASED - PHYSICS**

The pressure v/s volume graph of an ideal gas is given different thermodynamics process which of the following option relevant in order : (Isochoric, isobaric, isothermal, adiabatic)



- (A) d,a,b,c
- (B) a,d,c,b
- (C) a,c,d,b
- (D) a,b,c,d

CORRECT OPTION: A

[© Watch Free Video Solution on Doubtnut](#)

MEMORY BASED - PHYSICS

A simple pendulum undergoes 20 oscillation's in 30 seconds. What is the percentage error in the value of acceleration due to gravity provided length of pendulum is 55cm , least count of rmeasurement of time and length are 1s and 1mm respectively

(A) 3.4 %

(B) 6.8 %

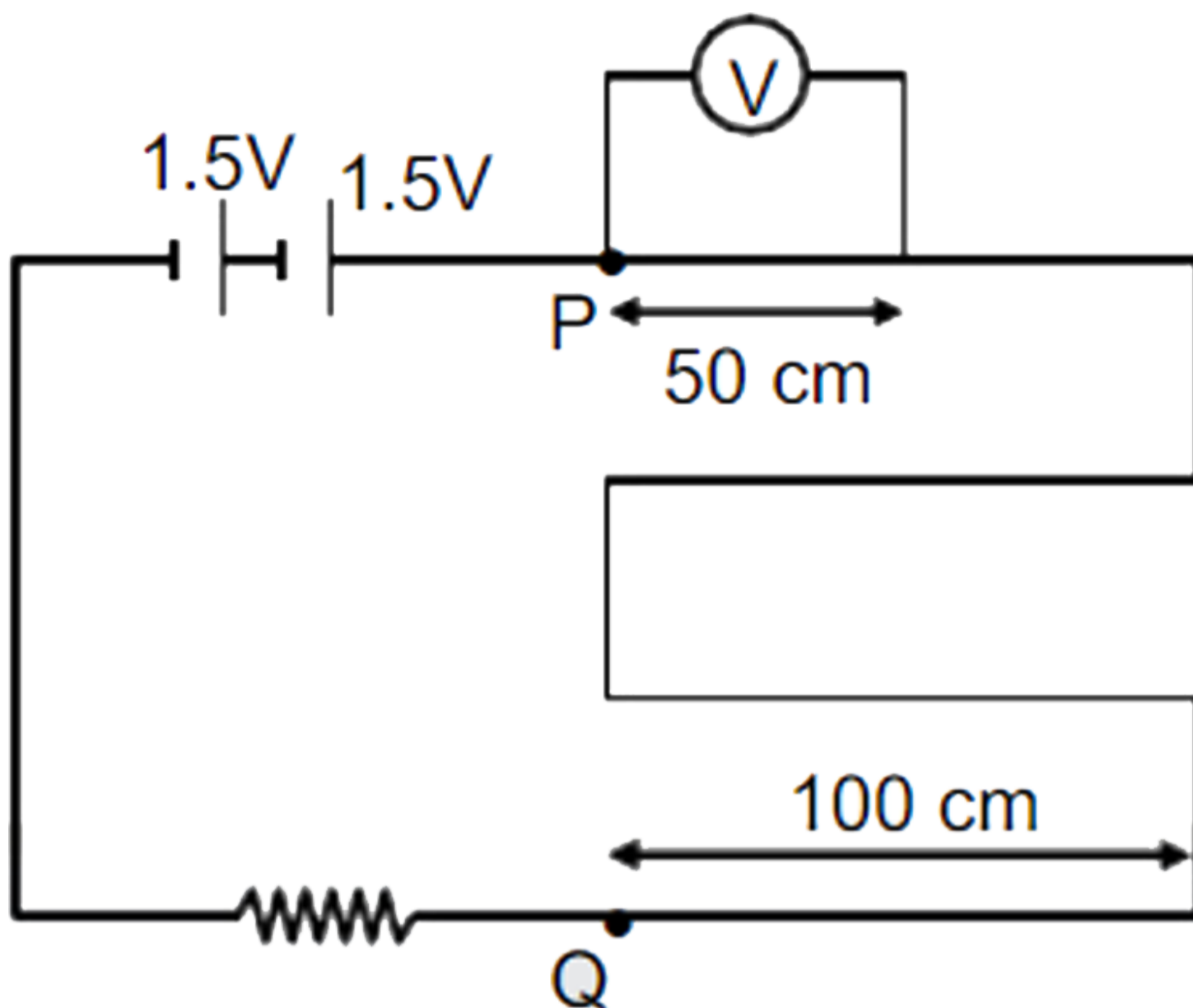
(C) 5.5 %

(D) 11 %

CORRECT OPTION: B

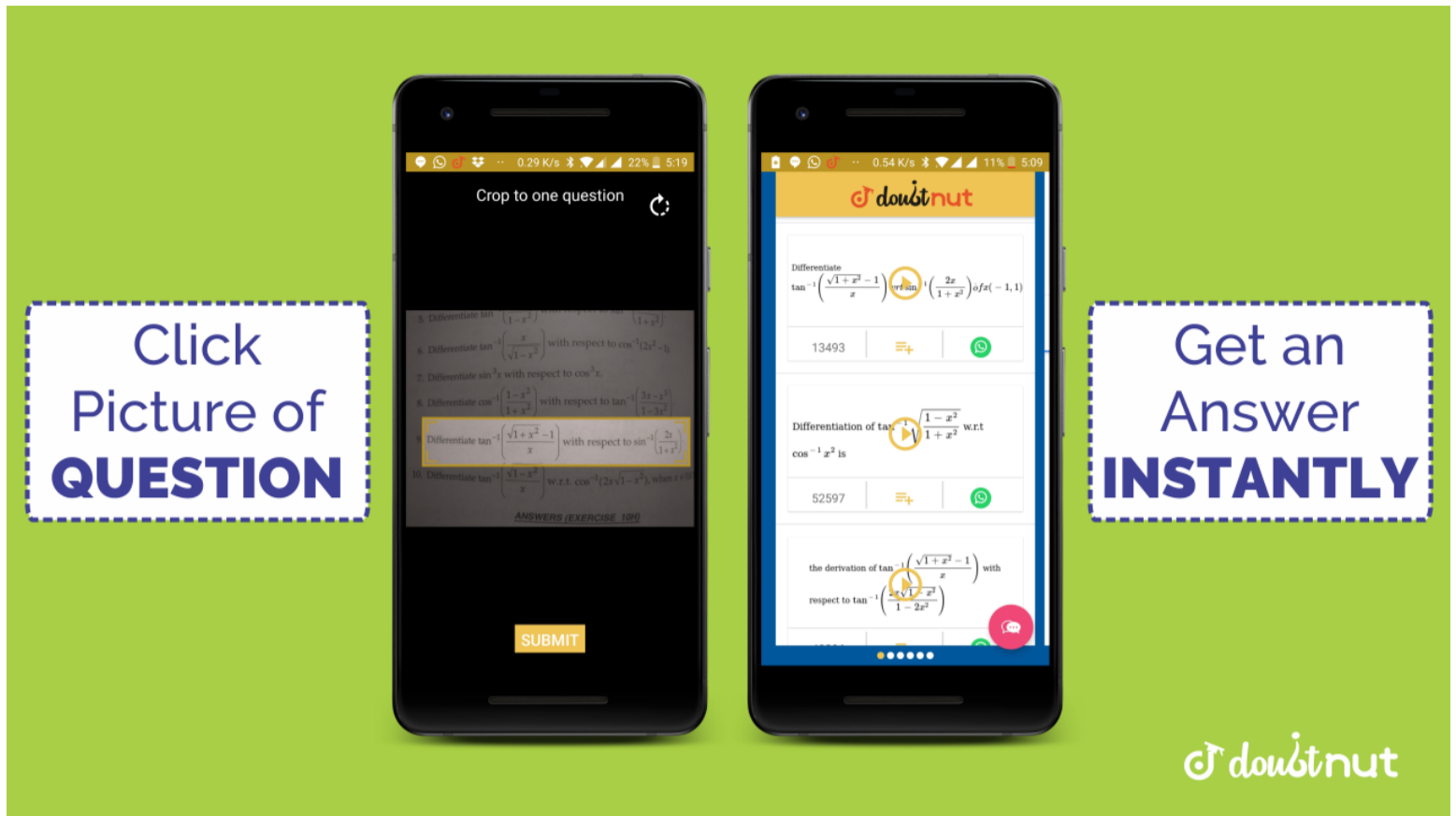
[© Watch Free Video Solution on Doubtnut](#)

If potential gradient on wire PQ is $0.01V/m$ then the reading of voltmeter is :



- (A) $3mV$
- (B) $5mV$
- (C) $7mV$
- (D) $9mV$

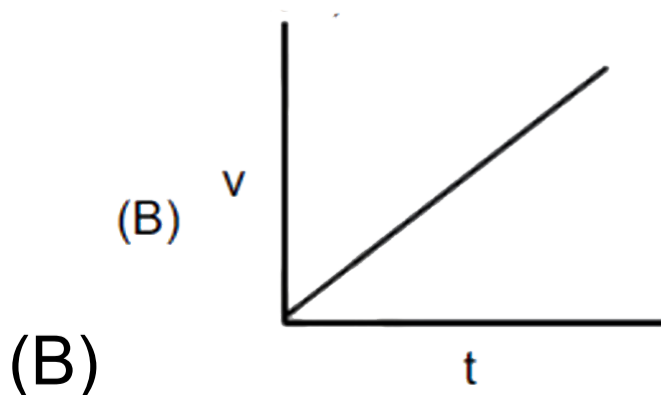
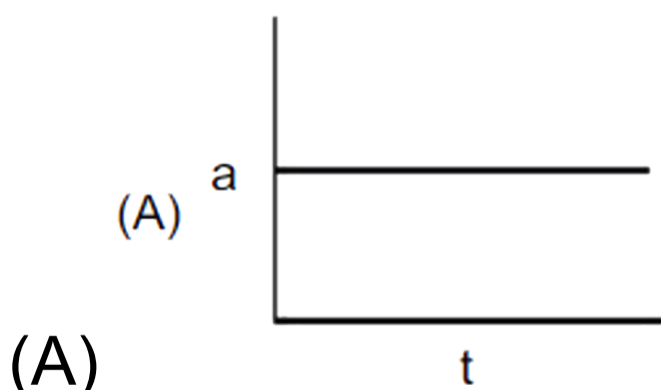
CORRECT OPTION: B

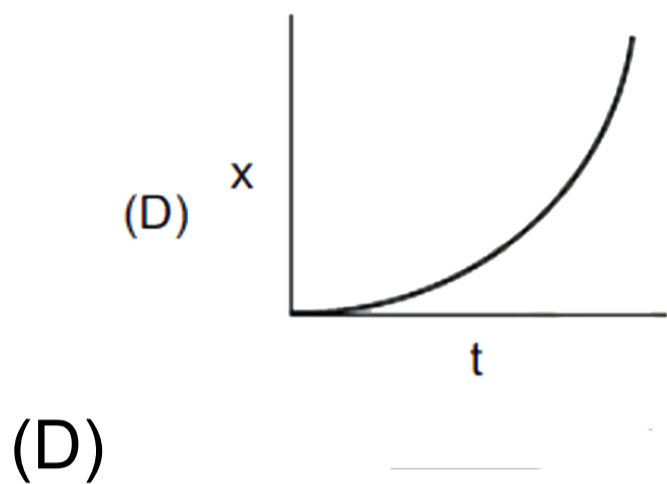
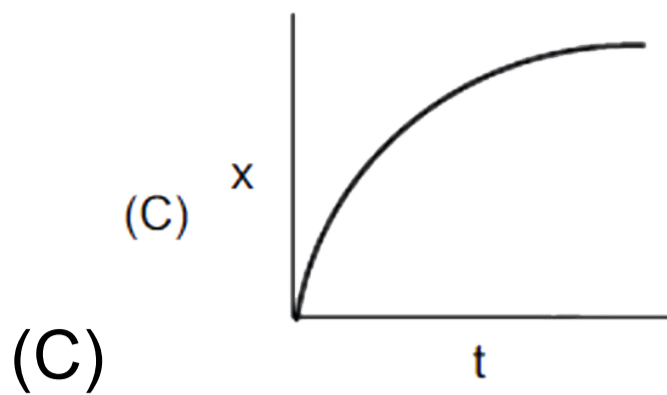


16 - 9407421

JEE MAINS 08 APRIL 2019 - PAPER 1 SHIFT 2 - MEMORY BASED - PHYSICS

A particle start from rest, with uniform acceleration at time t , choose the correct option





CORRECT OPTION: C

[© Watch Free Video Solution on Doubtnut](#)

17 - 9407423

**JEE MAINS 08 APRIL 2019 - PAPER 1 SHIFT 2 -
MEMORY BASED - PHYSICS**

The ratio of density of nuclei of O^{16} and Ca^{40} is :

(A) 1 : 1

(B) 1 : 2

(C) 1 : 3

(D) 1 : 4

CORRECT OPTION: A

[📺 Watch Free Video Solution on Doubtnut](#)

18 - 9407424

**JEE MAINS 08 APRIL 2019 - PAPER 1 SHIFT 2 -
MEMORY BASED - PHYSICS**

AC source of voltage of $V = V_0 \sin(100t)$ is connected with box which contain either *RL* or *RC* circuit. If voltage leads the current by phase $\pi / 4$ then :

(A) $R = 1K\omega L = 10H$

(B) $R = 1K\omega L = 1H$

(C) $R = 1K\omega. C = 10\mu F$

(D) $R = 1K\Omega C = 1\mu F$

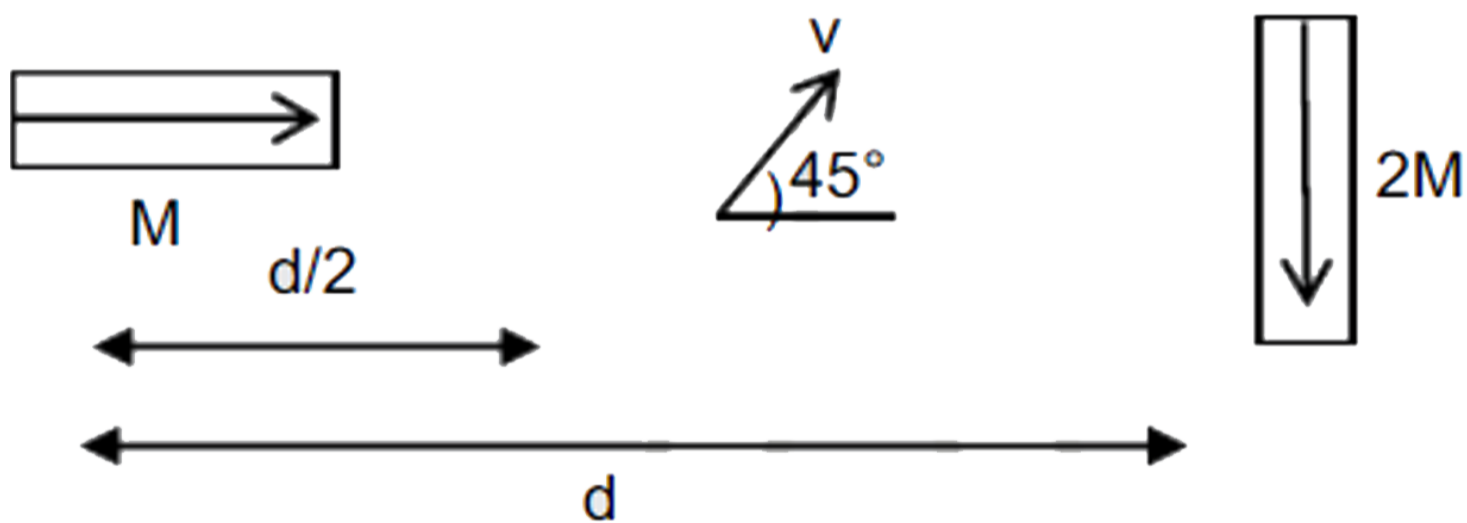
CORRECT OPTION: A

© Watch Free Video Solution on Doubtnut

19 - 9407425

JEE MAINS 08 APRIL 2019 - PAPER 1 SHIFT 2 - MEMORY BASED - PHYSICS

Two magnetic dipoles are lying as shown in figure. The separation ' d ' between them is very large. A point charge Q is projected with some speed v as shown. The force experienced by the charged particle is :



(A) 0

(B) $\frac{4\sqrt{4\mu_0}MQv}{\pi d^3}$

$$(C) \frac{\sqrt{2\mu_0}MQv}{\pi d^3}$$

$$(D) \left(2\sqrt{2\mu_0}MQv\right)$$

CORRECT OPTION: A

[© Watch Free Video Solution on Doubtnut](#)

20 - 9407426

**JEE MAINS 08 APRIL 2019 - PAPER 1 SHIFT 2 -
MEMORY BASED - PHYSICS**

The temperature of H_2 gas at which *rms* speed of H_2 molecules is equal to escape speed of a particle from earth surface is :

(A) $10^3 K$

(B) $2 \times 10^3 K$

(C) $10^4 K$

(D) $10^5 K$

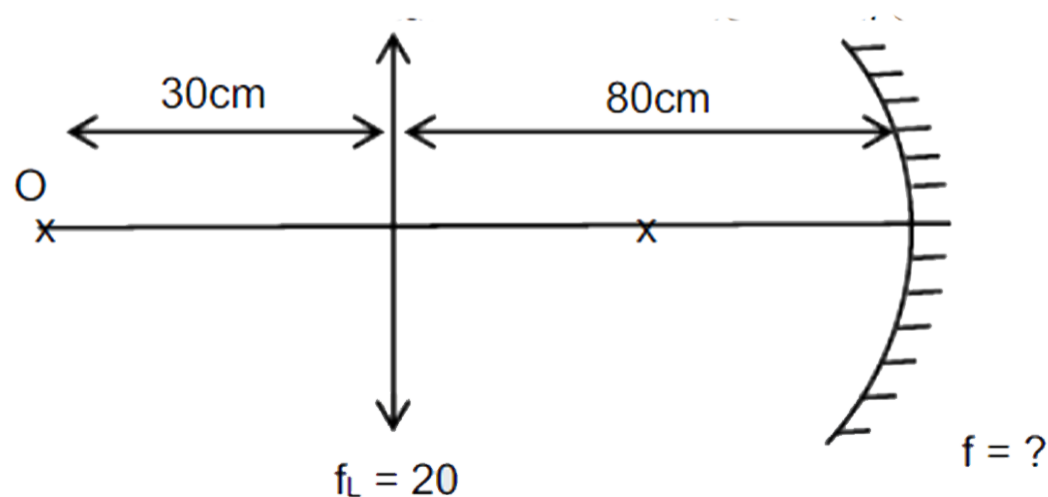
CORRECT OPTION: C

© Watch Free Video Solution on Doubtnut

21 - 9407427

JEE MAINS 08 APRIL 2019 - PAPER 1 SHIFT 2 - MEMORY BASED - PHYSICS

A convex lens ($f = 20\text{cm}$) is placed at 80cm from a concave mirror. An object is placed at 30cm in front the lens such that position of its final image is same with or without the mirror. The maximum distance of object and mirror for a virtual image to be formed if only mirror is present is :



(A) 10cm

(B) 20cm

(C) 30cm

(D) 50cm

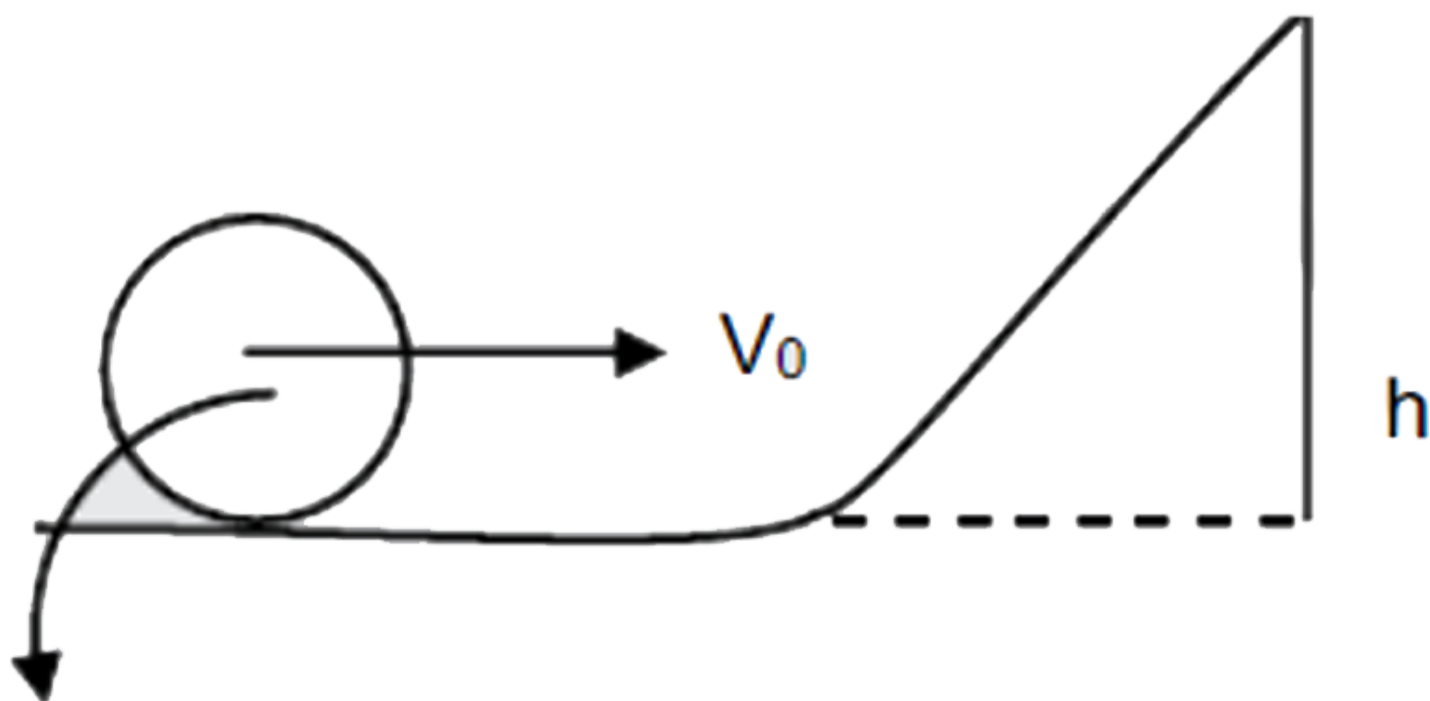
CORRECT OPTION: A

[📺 Watch Free Video Solution on Doubtnut](#)

22 - 9407428

**JEE MAINS 08 APRIL 2019 - PAPER 1 SHIFT 2 -
MEMORY BASED - PHYSICS**

A solid sphere and a solid cylinder are in pure rolling on a rough curved surface with the same speed. The ratio of maximum heights reached by the two bodies if they roll without slipping is



sphere, solid cylinder

(A) (4)/(5) (B) (14)/(15) (C) (7)/(10) (D) (10)/(13)

CORRECT OPTION: B

[📺 Watch Free Video Solution on Doubtnut](#)

23 - 9407429

**JEE MAINS 08 APRIL 2019 - PAPER 1 SHIFT 2 -
MEMORY BASED - PHYSICS**

In Region of Electric field Given by $\vec{E} = (Ax - B)\hat{i}$.

Where $A = 20$ unit and $B = 10$ unit. If Electric potential at

$x = 1m$ is v_2 . Then $v_1 - v_2$ is equal to

(A) 150V

(B) 170V

(C) 140V

(D) 180V

CORRECT OPTION: D

📺 Watch Free Video Solution on Doubtnut

 **doubt**nut
पढ़ना हुआ आसान



Get Solutions as YOU TYPE

Click Here to TYPE & ASK

find the equation of tangent a

Find the equation of tangent to the curve 'x=a(th...

Find the equation of tangent to the curve 'x=a(th...

Find the equation of tangent to the curve 'y=sin^(-1...

If '3x+y=0' is a tangent to a circle whose center is ...

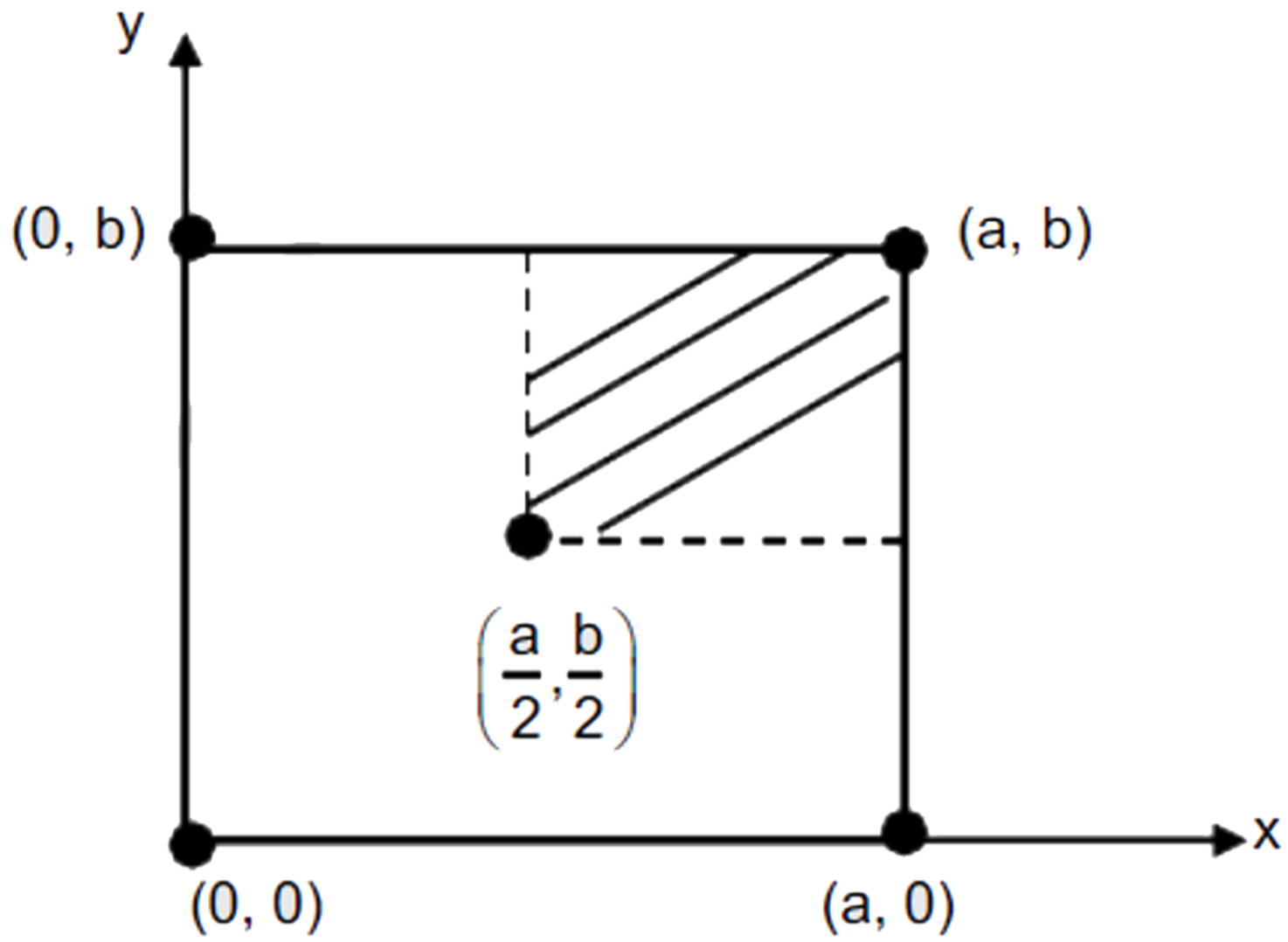
Find the equation of tangent to 'y=int_(x^2)^(x^3)(...



24 - 9407430

JEE MAINS 08 APRIL 2019 - PAPER 1 SHIFT 2 - MEMORY BASED - PHYSICS

From a rectangular sheet of uniform density a reactangle is cut out as shown in figure. Find new co-ordinate of center of mass *w. r. t* orign



- (A) $\left(\frac{1}{12}, \frac{b}{12}\right)$
- (B) $\left(\frac{5a}{12}, \frac{5b}{12}\right)$
- (C) $\left(\frac{7a}{12}, \frac{7b}{12}\right)$
- (D) none of these

CORRECT OPTION: B

📺 [Watch Free Video Solution on Doubtnut](#)

Free Video Solutions of NCERT, RD Sharma, RS Aggarwal, Cengage (G.Tewani), Resonance DPP, Allen, Bansal, FIITJEE, Akash, Narayana, VidyaMandir

Download Doubtnut Today

Get Answer just with a click!

doubtnut has more than 1 Lakh Video Solutions

Update the App now!

GET IT ON Google Play

The advertisement features two smartphones. The left phone displays a handwritten math problem: "x is a subset of y", with solutions for $x = \{1, 2, 3, 4, 5\}$ and $y = \{1, 2, 3, 4, 5, 6, 7\}$. Below the problem are tags for "#SETS", "#SUBSETS", "#BOARDS", "#Intermediate", and "#MICROC...". A "Practice Questions" section shows a question: "What is Power Sets? (Explain with exam...)". The right phone displays the "Library" section with "NCERT Questions" and "Tips & Tricks". The "NCERT Questions" section includes a problem: "Integrate the Functions $(2\cos x - 3\sin x)/(6\cos x + 4\sin x)$ " and another: "If $y = \sin^{-1}(-1)x^2 + y$, then (A) $0 < y < \pi$ (B) $-\pi/2 < y < \pi/2$ ". The "Tips & Tricks" section includes "Range of Trigonometric Expression Using Trigonometric Substitution" and "TRICK 20 | PROFIT and LOSS | सरासरी अर्थात TRICK हारी". The bottom navigation bar includes "Topics", "Library", "Ask", "Forum", and "Profile".