

Ques No.

Question

**JEE MAINS 08 APRIL 2019 - PAPER 1 SHIFT 1 -
MEMORY BASED - PHYSICS**

A capacitor of capacitance $C = 15\text{pF}$ is charged with voltage $V = 500\text{V}$. The electric field inside the capacitor with dielectric is 10^6V/m and the area of the plate 10^{-4}m^2 , then the dielectric constant of the medium is :
($\epsilon_0 = 8.85 \times 10^{-12}$ in S.I units)

1 - 9364273

- (1) 12.47
- (2) 8.47
- (3) 10.85
- (4) 14.85

CORRECT OPTION: 2[Watch Free Video Solution on Doubtnut](#)

2 - 9364274

**JEE MAINS 08 APRIL 2019 - PAPER 1 SHIFT 1 -
MEMORY BASED - PHYSICS**

The electric field of EM wave is 6 volt/m. The magnetic field associated with the wave if the wave is propagating in $+v$ direction and electric field along y -axis is:

- (1) $10^{-8}T\hat{K}$
- (2) $2 \times 10^{-8}T\hat{K}$
- (3) $3 \times 10^{-8}T\hat{K}$
- (4) $4 \times 10^{-8}T\hat{K}$

CORRECT OPTION: 2

[Watch Free Video Solution on Doubtnut](#)

3 - 9364275

JEE MAINS 08 APRIL 2019 - PAPER 1 SHIFT 1 - MEMORY BASED - PHYSICS

An electron of H-atom de-excites from energy level $n_1 = 2$ to $n_2 = 1$ and the emitted photon is incident on He^+ ions in ground state and first excited states. Which of the following transition is possible.

- (1) $n = 1$ to $n = 4$
- (2) $n = 2$ to $n = 4$

(3) $n = 2$ to $n = 3$

(4) $n = 1$ to $n = 3$

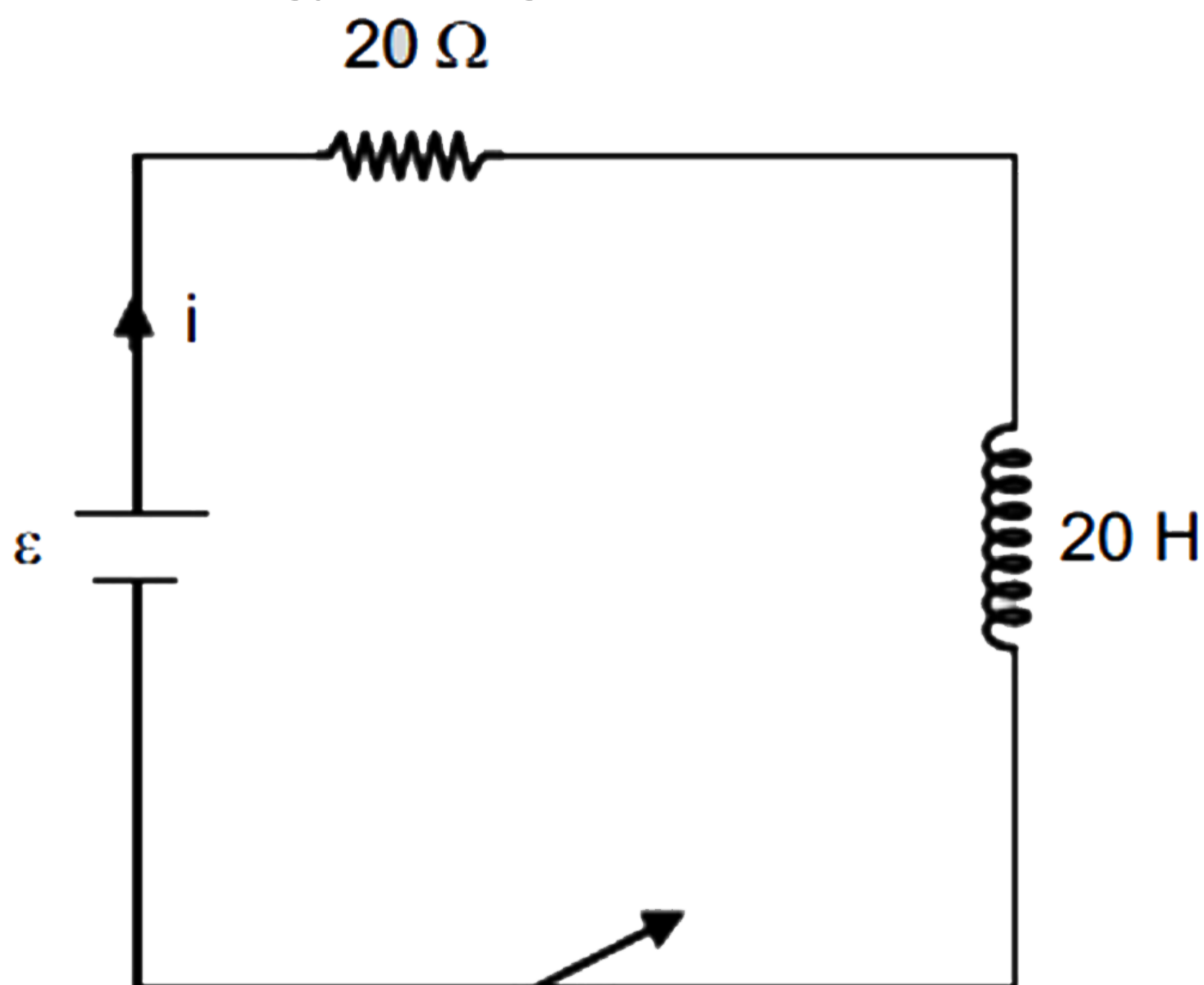
CORRECT OPTION: 2

[▶ Watch Free Video Solution on Doubtnut](#)

4 - 9364276

**JEE MAINS 08 APRIL 2019 - PAPER 1 SHIFT 1 -
MEMORY BASED - PHYSICS**

The switch is closed at $t = 0$. The time after which the rate of dissipation for energy in the resistor is equal to rate at which energy is being stored in the inductor is :



(1) $\ln 2$

(2) $\frac{1}{2} \ln^2$

(3) $\frac{1}{4} \ln^2$

(4) $2 \ln 2$

CORRECT OPTION: 2

[📺 Watch Free Video Solution on Doubtnut](#)

5 - 9364277

**JEE MAINS 08 APRIL 2019 - PAPER 1 SHIFT 1 -
MEMORY BASED - PHYSICS**

Two identical containers of same emissivity containing liquids A & B are at same temperature of 60° initially and density ρ_A and ρ_B respectively. Where $\rho_A < \rho_B$. Which plot best represents the temperature variation of both with time? Given

$$\left(S_A = 1000 \frac{J}{kg - K}, S_B = 2000 \frac{J}{kg - K} \right)$$

(1)

(2)

(3)

(4)

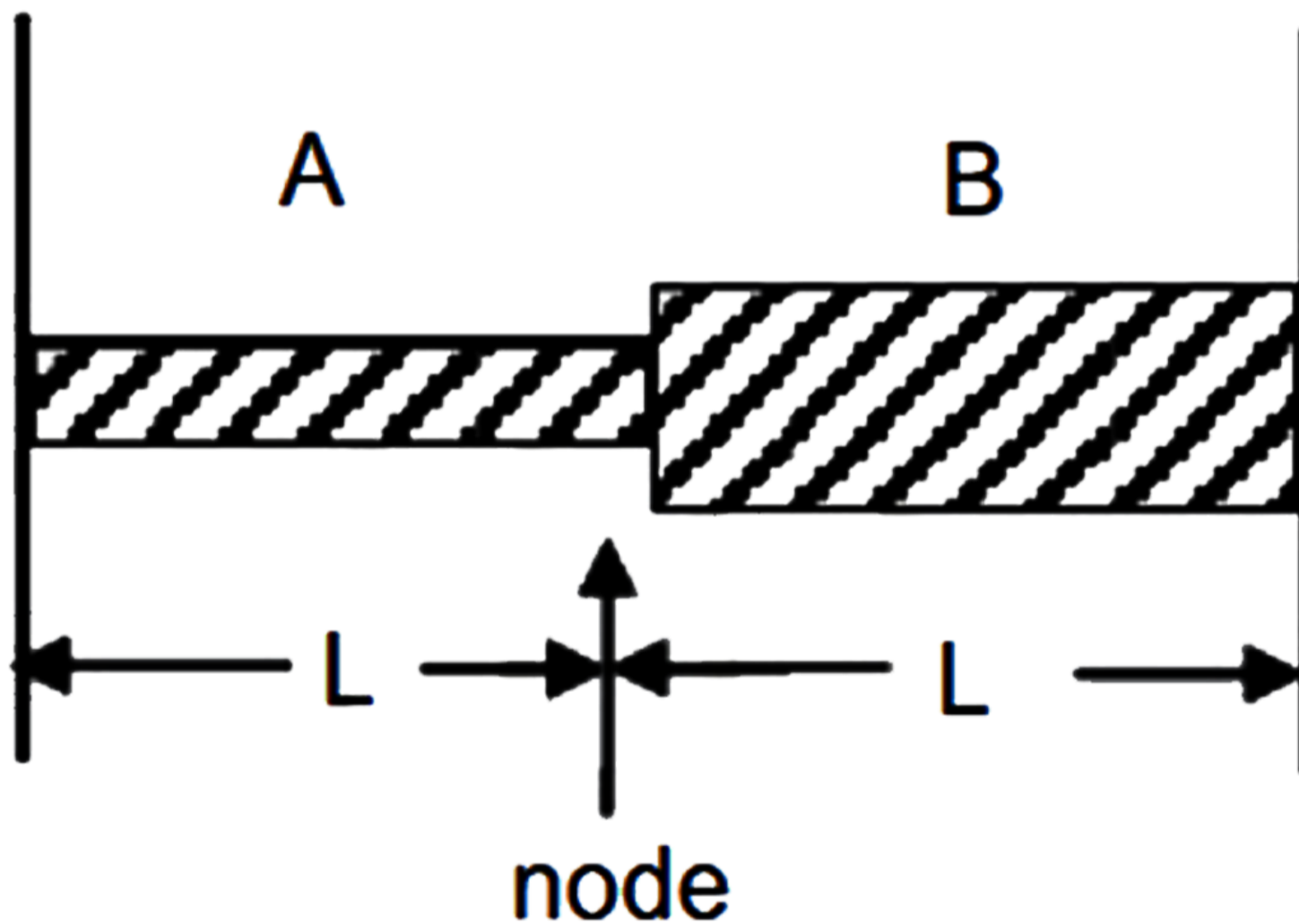
CORRECT OPTION: 2

[Watch Free Video Solution on Doubtnut](#)

6 - 9364278

JEE MAINS 08 APRIL 2019 - PAPER 1 SHIFT 1 - MEMORY BASED - PHYSICS

The system of two rods shown in figure is vibrating at the same frequency and forming a standing wave. The ratio of the number of antinodes in the two rods if radius of rod B is twice radius of A is :



(1)

(2)

(3)

(4)

CORRECT OPTION: 2

[▶ Watch Free Video Solution on Doubtnut](#)

**JEE MAINS 08 APRIL 2019 - PAPER 1 SHIFT 1 -
MEMORY BASED - PHYSICS**

The wavelength of carrier wave in optical cable fiber is :

(1) $900nm$

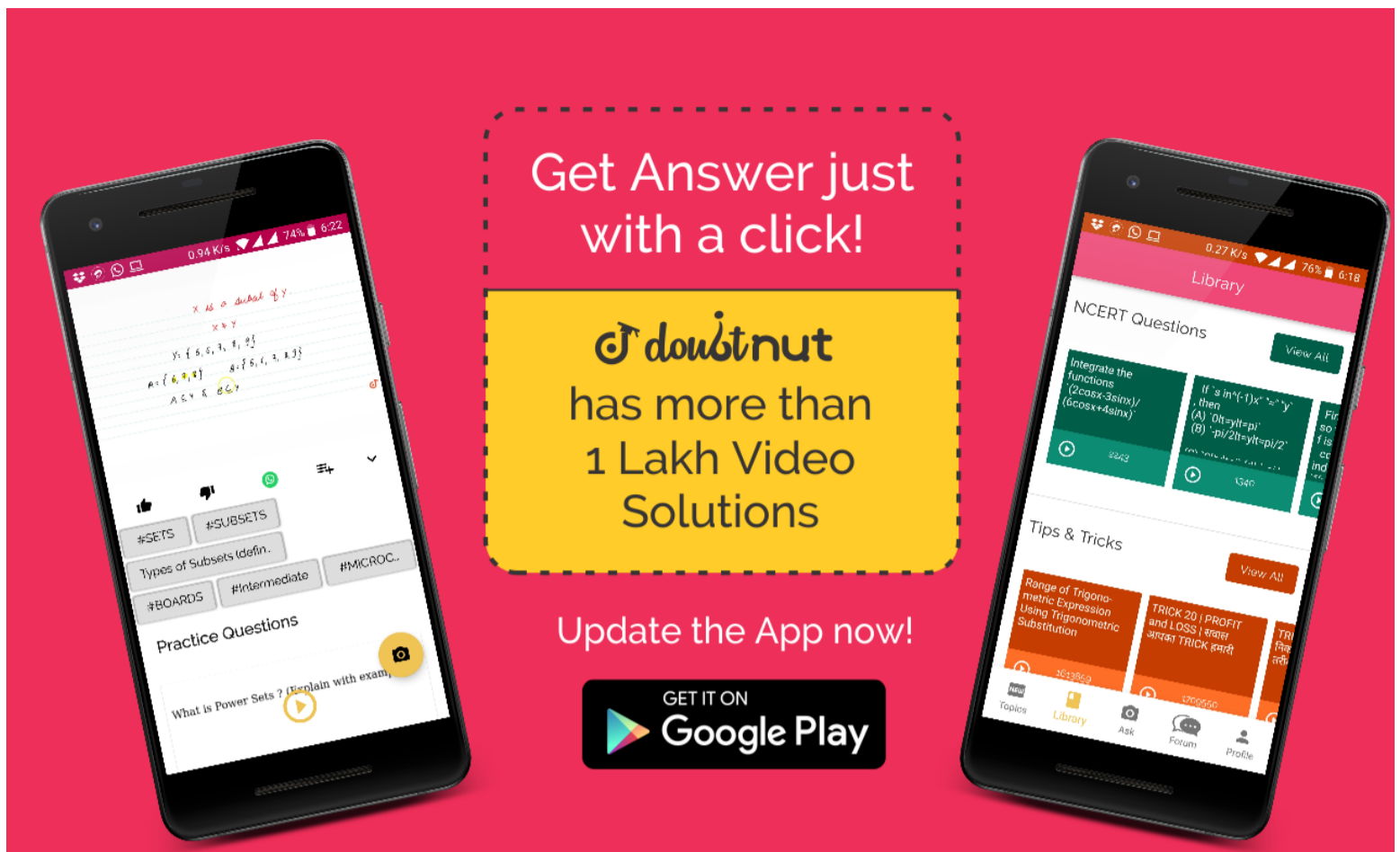
(2) $2700nm$

(3) $1500nm$

(4) $2000nm$

CORRECT OPTION: 3

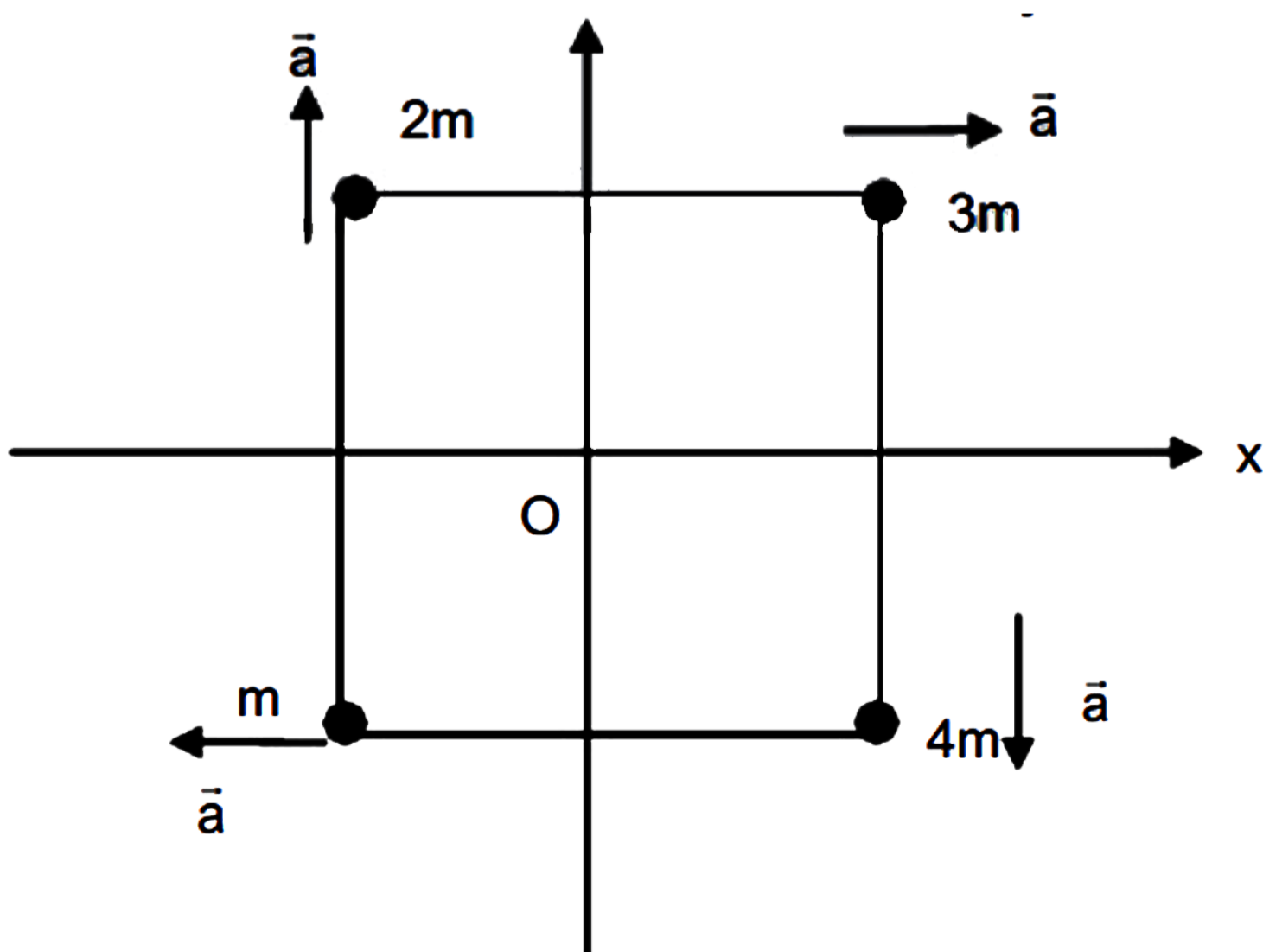
[▶ Watch Free Video Solution on Doubtnut](#)



8 - 9364281

JEE MAINS 08 APRIL 2019 - PAPER 1 SHIFT 1 - MEMORY BASED - PHYSICS

At the given instant four particles having masses and acceleration as shown in the figure lie at vertices of a square. Acceleration on the center of mass of system is :



- (1) $\frac{1}{5} (\hat{i} + \hat{j})$
- (2) $\frac{1}{5} (\hat{j} + \hat{i})$
- (3) $\frac{1}{5} (\hat{i} - \hat{j})$
- (4) $-\frac{1}{5} (\hat{i} + \hat{j})$
-

CORRECT OPTION: 3

[📺 Watch Free Video Solution on Doubtnut](#)

9 - 9364282

**JEE MAINS 08 APRIL 2019 - PAPER 1 SHIFT 1 -
MEMORY BASED - PHYSICS**

In *YDSE* ratio of Amplitude of wave is 1:3. The ratio of $l_{\max} : l_{\min}$ is :

- (1) 1:4
- (2) 4:1
- (3) 1:1
- (4) 1:9
-

CORRECT OPTION: 2

[Watch Free Video Solution on Doubnut](#)

JEE MAINS 08 APRIL 2019 - PAPER 1 SHIFT 1 - MEMORY BASED - PHYSICS

Two particles are moving perpendicular to each other with de-Broglie wave length λ_1 and λ_2 . If they collide and stick then the de-Broglie wave length of system after collision is :

$$(1) \lambda = \frac{\lambda_1 \lambda_2}{\sqrt{\lambda_1^2 + \lambda_2^2}}$$

$$(2) \lambda = \frac{\lambda_1}{\sqrt{\lambda_1^2 + \lambda_2^2}}$$

$$(3) \lambda = \frac{\sqrt{\lambda_1^2 + \lambda_2^2}}{\lambda_2}$$

$$(4) \lambda = \frac{\lambda_1 \lambda_2}{\sqrt{\lambda_1 + \lambda_2}}$$

10 - 9364283

CORRECT OPTION: 1

[Watch Free Video Solution on Doubnut](#)

**JEE MAINS 08 APRIL 2019 - PAPER 1 SHIFT 1 -
MEMORY BASED - PHYSICS**

Ship A moving with velocity $\vec{V}_1 = 30\hat{i} + 50\hat{j}$ from position (0, 0) and ship B moving with velocity $\vec{V}_2 = -10\hat{i}$ from position (80, 150). The time for minimum separation is :

- (1) 2.6
- (2) 2.2
- (3) 2.4
- (4) None

CORRECT OPTION: 1

[📺 Watch Free Video Solution on Doubtnut](#)

**JEE MAINS 08 APRIL 2019 - PAPER 1 SHIFT 1 -
MEMORY BASED - PHYSICS**

10^{22} particles each of mass 10^{-26} Kg are striking perpendicular on a wall of area 1 m^2 with speed 10^4 m/s in 1 sec. The pressure on the wall if collision are perfectly elastic is :

(1) $2N / m^2$

(2) $4N / m^2$

(3) $6N / m^2$

(4) $8N / m^2$

CORRECT OPTION: 1

[▶ Watch Free Video Solution on Doubtnut](#)

**JEE MAINS 08 APRIL 2019 - PAPER 1 SHIFT 1 -
MEMORY BASED - PHYSICS**

A carbon resistance with color band is 2000Ω . If red band is replaced by green band then the new resistance is :

(1) 500Ω

(2) 300Ω

(3) 400Ω

(4) 100Ω

CORRECT OPTION: 1

[▶ Watch Free Video Solution on Doubtnut](#)

**JEE MAINS 08 APRIL 2019 - PAPER 1 SHIFT 1 -
MEMORY BASED - PHYSICS**

Dimension of $\sqrt{\frac{\epsilon_0}{\mu_0}}$ are

- (1) $[ML^2T^{-3}A^{-2}]$
- (2) $[M^{-1}L^{-2}T^3A^2]$
- (3) $[M^2L^2T^{-3}A^2]$
- (4) $[M^{-1}L^2T^3A^2]$

CORRECT OPTION: 2

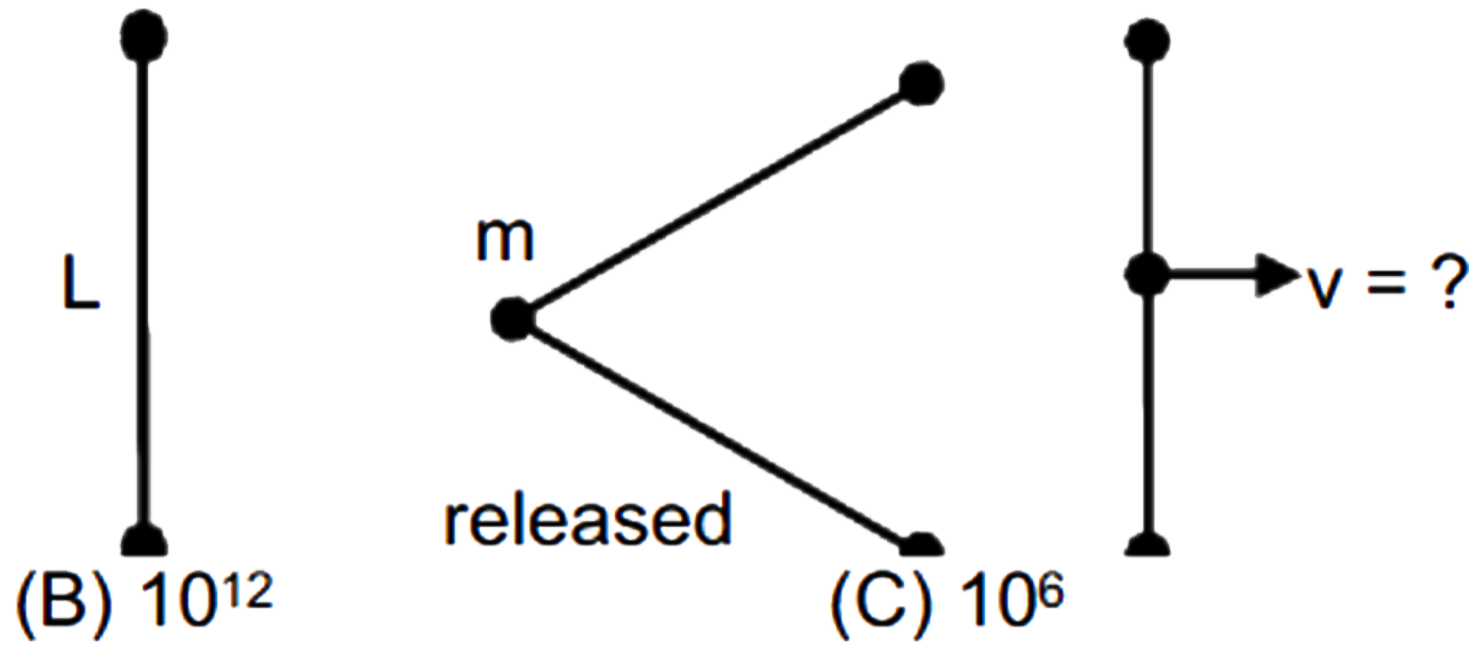
[▶ Watch Free Video Solution on Doubnut](#)

15 - 9364288

**JEE MAINS 08 APRIL 2019 - PAPER 1 SHIFT 1 -
MEMORY BASED - PHYSICS**

An elastic string of length 42cm and cross section area 10^{-4}m^2 is attached between two pegs at distance 6mm as shown in the figure. A particle of mass m is kept at midpoint of string stretched as shown in figure by 20cm and released. As th string attains natural length, the particle attains a speed of $20\text{m} / \text{s}$. Then young modulus Y of string

is of order



- (1) 10^0
- (2) 10^{12}
- (3) 10^8
- (4) 10^4

CORRECT OPTION: 3

[Watch Free Video Solution on Doubtnut](#)



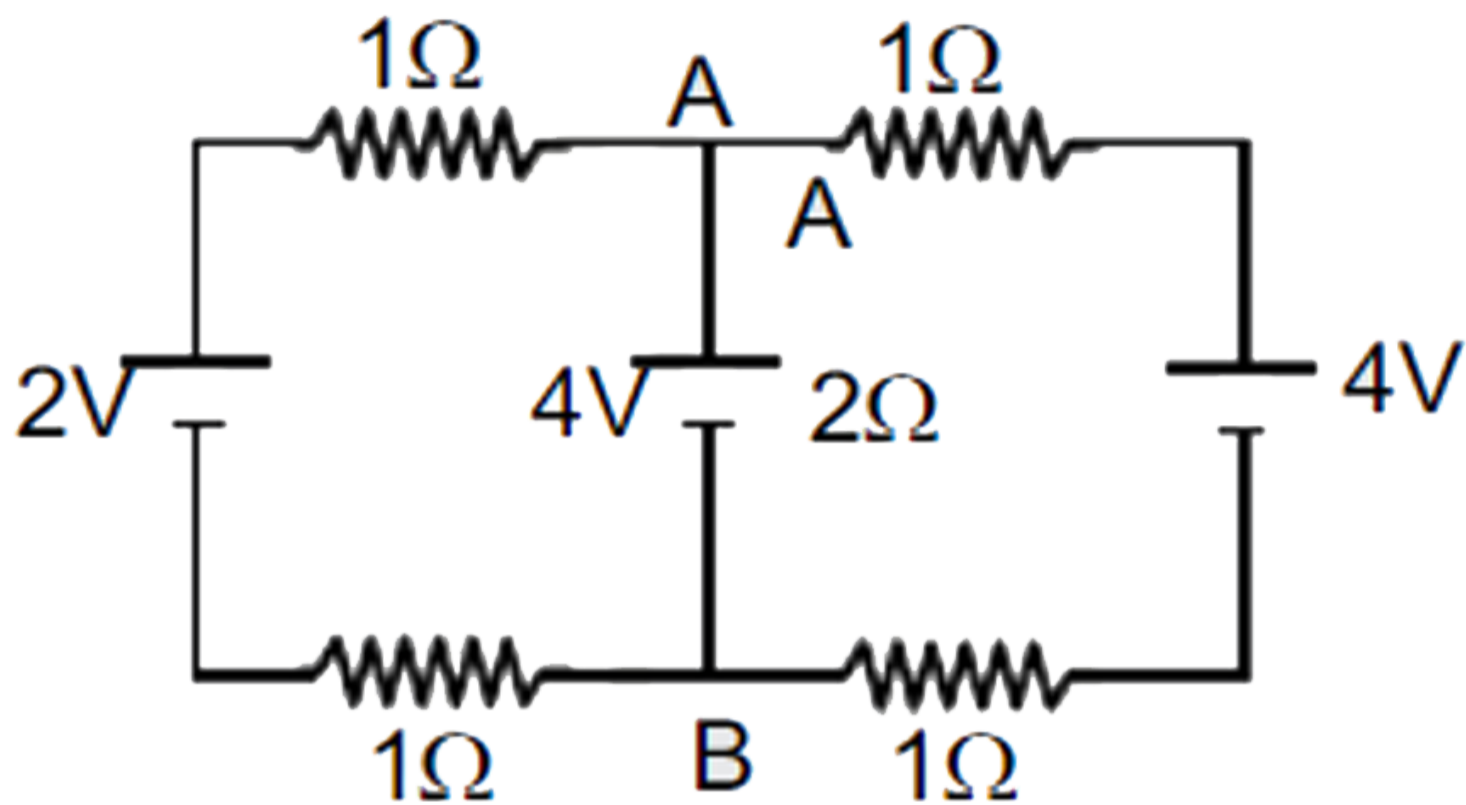
Click Picture of QUESTION

Get an Answer INSTANTLY

doubtnut

**JEE MAINS 08 APRIL 2019 - PAPER 1 SHIFT 1 -
MEMORY BASED - PHYSICS**

An electric circuit is shown in figure. The potential difference between the point A and B is.



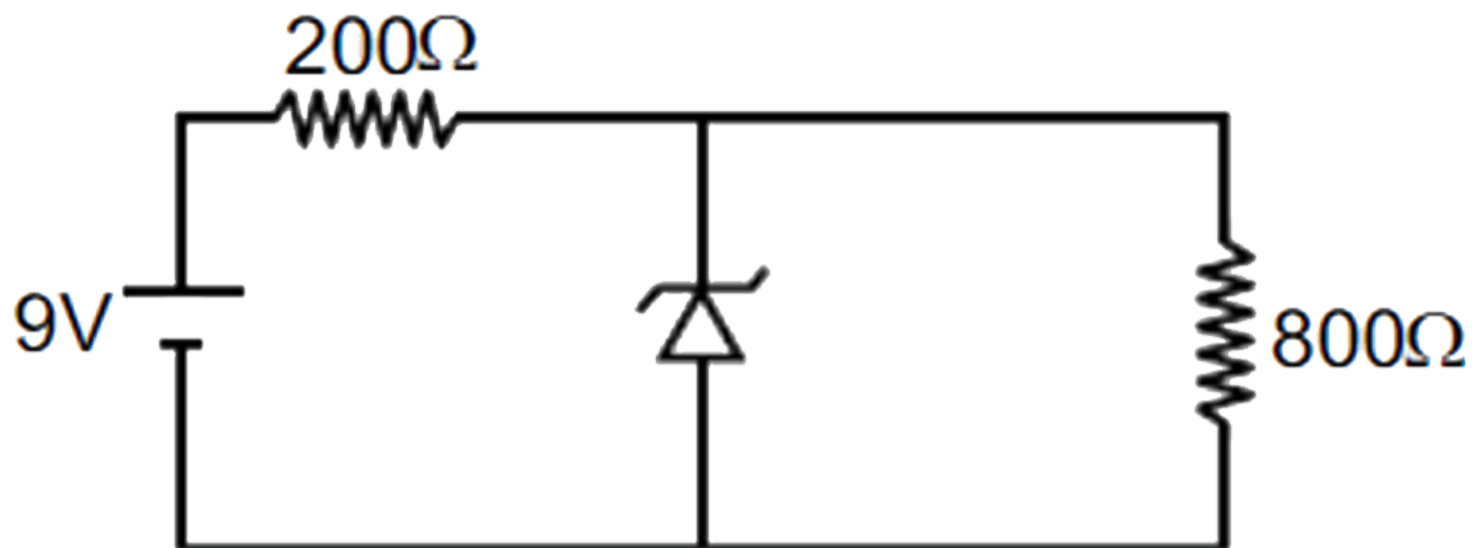
- (1) $\frac{10}{3}$
- (2) $\frac{20}{3}$
- (3) $\frac{5}{3}$
- (4) $\frac{7}{3}$

CORRECT OPTION: 1

[© Watch Free Video Solution on Doubtnut](#)

MEMORY BASED - PHYSICS

The circuit shown in the figure determine the current through zener diode. (Given : zener diode break down voltage $V_z = 5.8V$)



- (1) $7mA$
- (2) $17mA$
- (3) $10mA$
- (4) $15mA$

CORRECT OPTION: 3

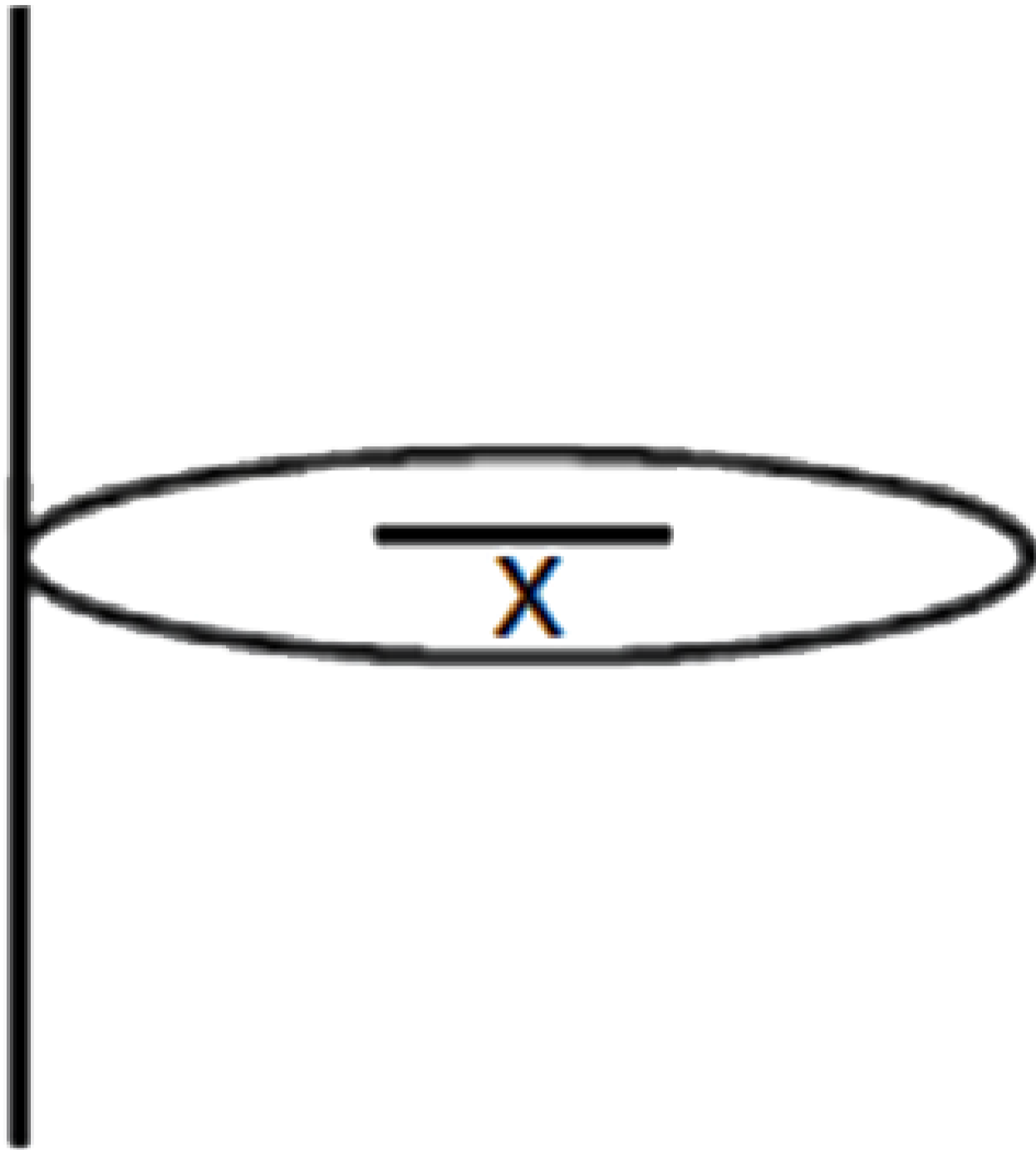
[Watch Free Video Solution on Doubtnut](#)

18 - 9364291

**JEE MAINS 08 APRIL 2019 - PAPER 1 SHIFT 1 -
MEMORY BASED - PHYSICS**

The density of a circular disc is given as $\sigma = \rho_0 x$ where ' x ' is the distance from the centre. Its moment of inertia

about an axis perpendicular to its plane and passing through its edge is:



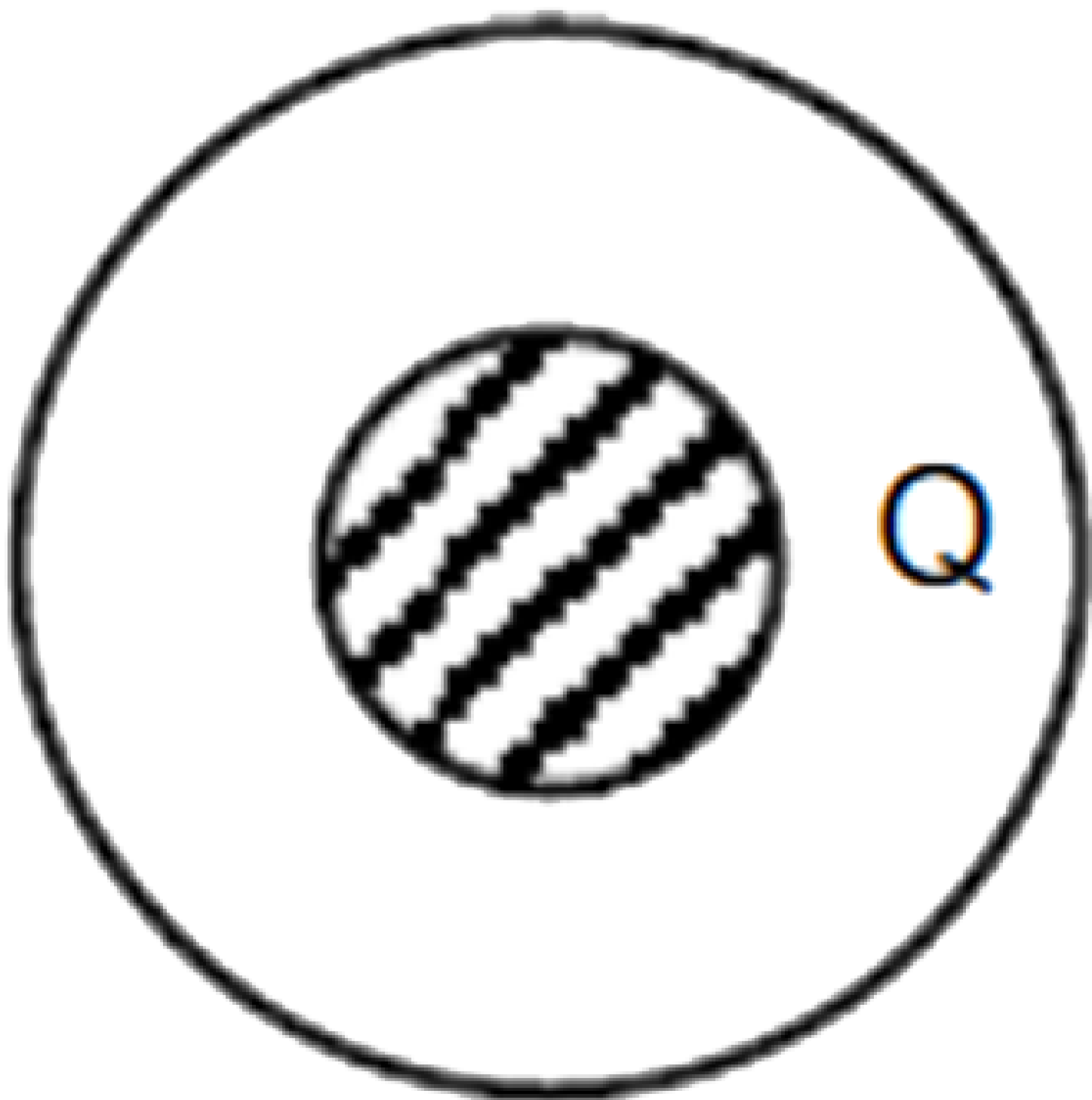
- (1) $\frac{15}{16} \rho_0 \pi R^5$
- (2) $\frac{16}{15} \rho_0 \pi R^5$
- (3) $\frac{6}{5} \rho_0 \pi R^5$
- (4) $\frac{5}{6} \rho_0 \pi R^5$

CORRECT OPTION: 2

19 - 9364292

JEE MAINS 08 APRIL 2019 - PAPER 1 SHIFT 1 - MEMORY BASED - PHYSICS

A conducting sphere is enclosed by a hollow conducting shell. Initially the inner sphere has a charge Q while the outer one is uncharged. The potential difference between the two spherical surface is found to be V . later on the outer shell is given a charge $-4Q$. The new potential difference between the two surfaces is :



- (1) V
 - (2) $-V$
 - (3) $-2V$
 - (4) $2V$
-

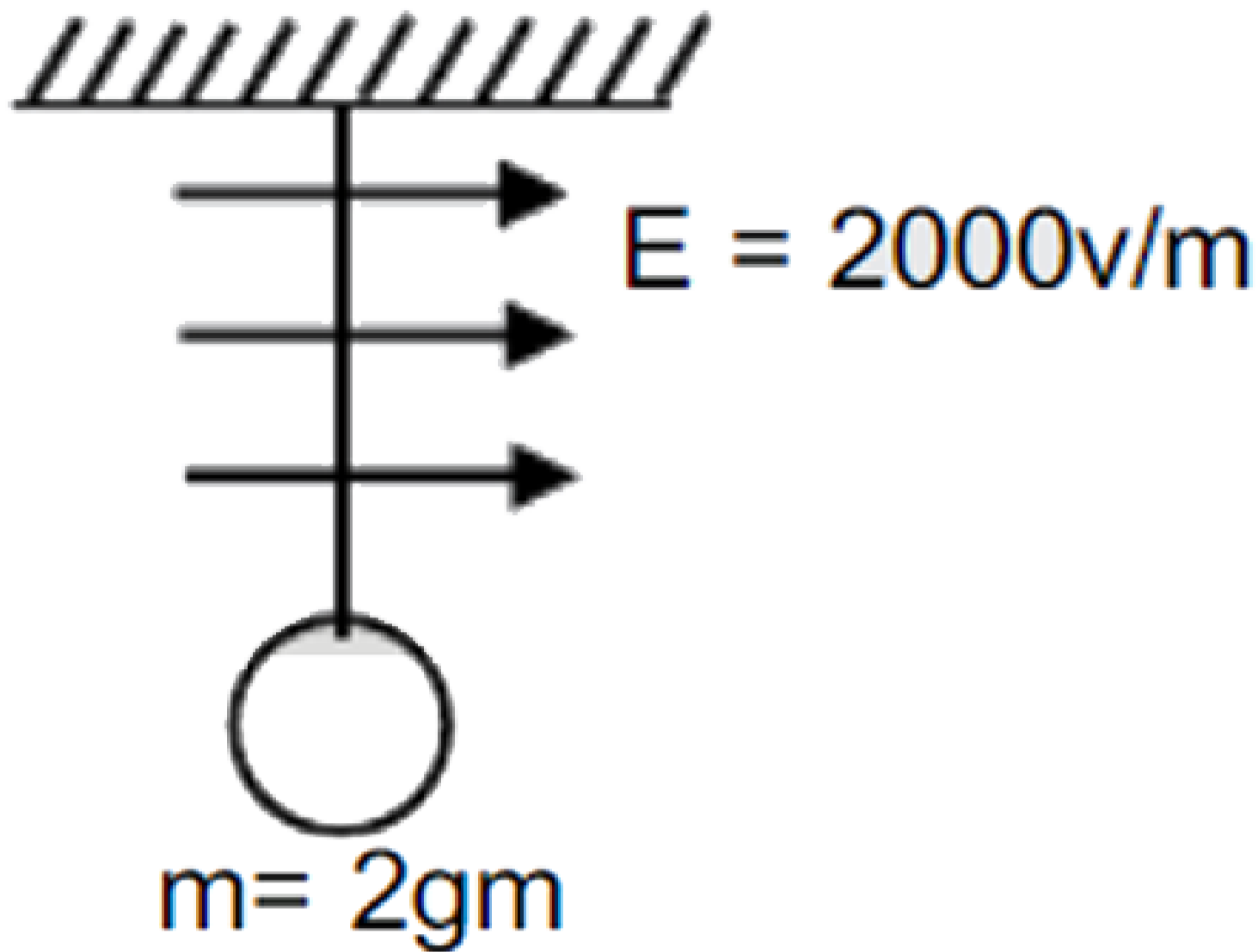
CORRECT OPTION: 1

[▶ Watch Free Video Solution on Doubtnut](#)

20 - 9364293

**JEE MAINS 08 APRIL 2019 - PAPER 1 SHIFT 1 -
MEMORY BASED - PHYSICS**

A small sphere of mass $m = 2gm$ having charge $Q = 5\mu C$ is suspended using an insulated string as shown in figure. The angle. The angle θ made by the sphere with vertical if it is placed in an electric field of magnitude $200v/m$ towards right is :



- (1) $\tan^{-1}(5)$
- (2) $\tan^{-1}(0.5)$
- (3) $\tan^{-1}(2)$
- (4) $\tan^{-1}(0.2)$

CORRECT OPTION: 2

[Watch Free Video Solution on Doubtnut](#)

21 - 9364294

**JEE MAINS 08 APRIL 2019 - PAPER 1 SHIFT 1 -
MEMORY BASED - PHYSICS**

A circular loop of radius r having N number of turns carries current I is placed in a uniform magnetic field \vec{B}

parallel to the plane of the loop. The torque on the loop is :



- (1) $NI\pi r^2 B$
- (2) $N^2 I\pi r^2 B$
- (3) $NI^2 \pi r^2 B$
- (4) $NI\pi r^2 B^2$

CORRECT OPTION: 1

[Watch Free Video Solution on Doubtnut](#)

22 - 9364295

**JEE MAINS 08 APRIL 2019 - PAPER 1 SHIFT 1 -
MEMORY BASED - PHYSICS**

An A.C. source of voltage $V=200 \sin(100\pi t)$ volt is connected with $R=50\Omega$. The time interval in which of the current goes from its peak value of half of the peak value is:

- (1) $1/400$ sec
- (2) $1/50$ sec

(3) $1/300$ sec

(4) $1/200$ sec

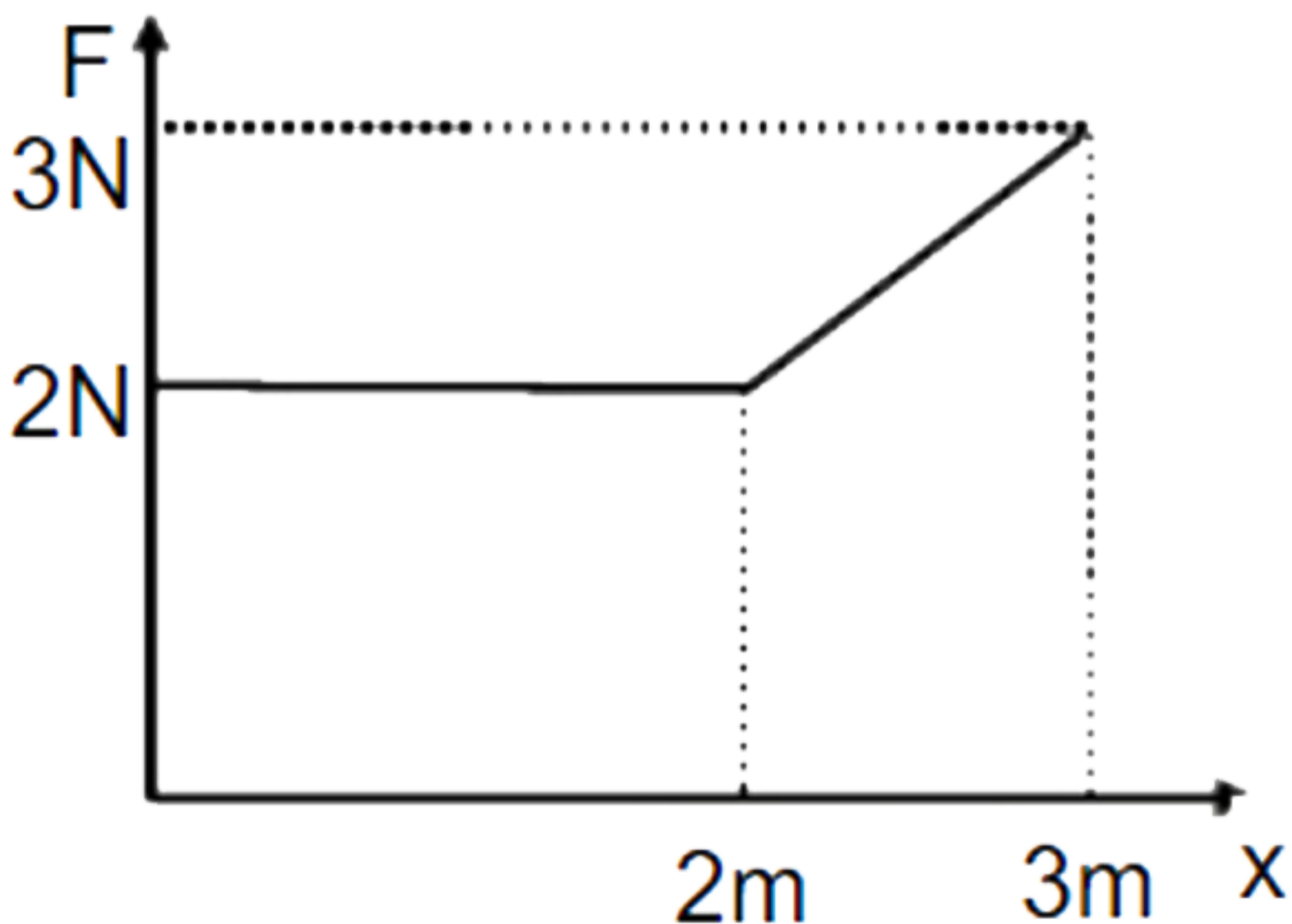
CORRECT OPTION: 3

[Watch Free Video Solution on Doubtnut](#)

23 - 9364297

**JEE MAINS 08 APRIL 2019 - PAPER 1 SHIFT 1 -
MEMORY BASED - PHYSICS**

Force displacement graph of a particle starting from rest is given in the figure shown. The kinetic energy of particle at $x = 3m$ is:



(1) 6.5 J

(2) 7.5 J

(3) 6 J

(4) 5 J

CORRECT OPTION: 1

[▶ Watch Free Video Solution on Doubtnut](#)

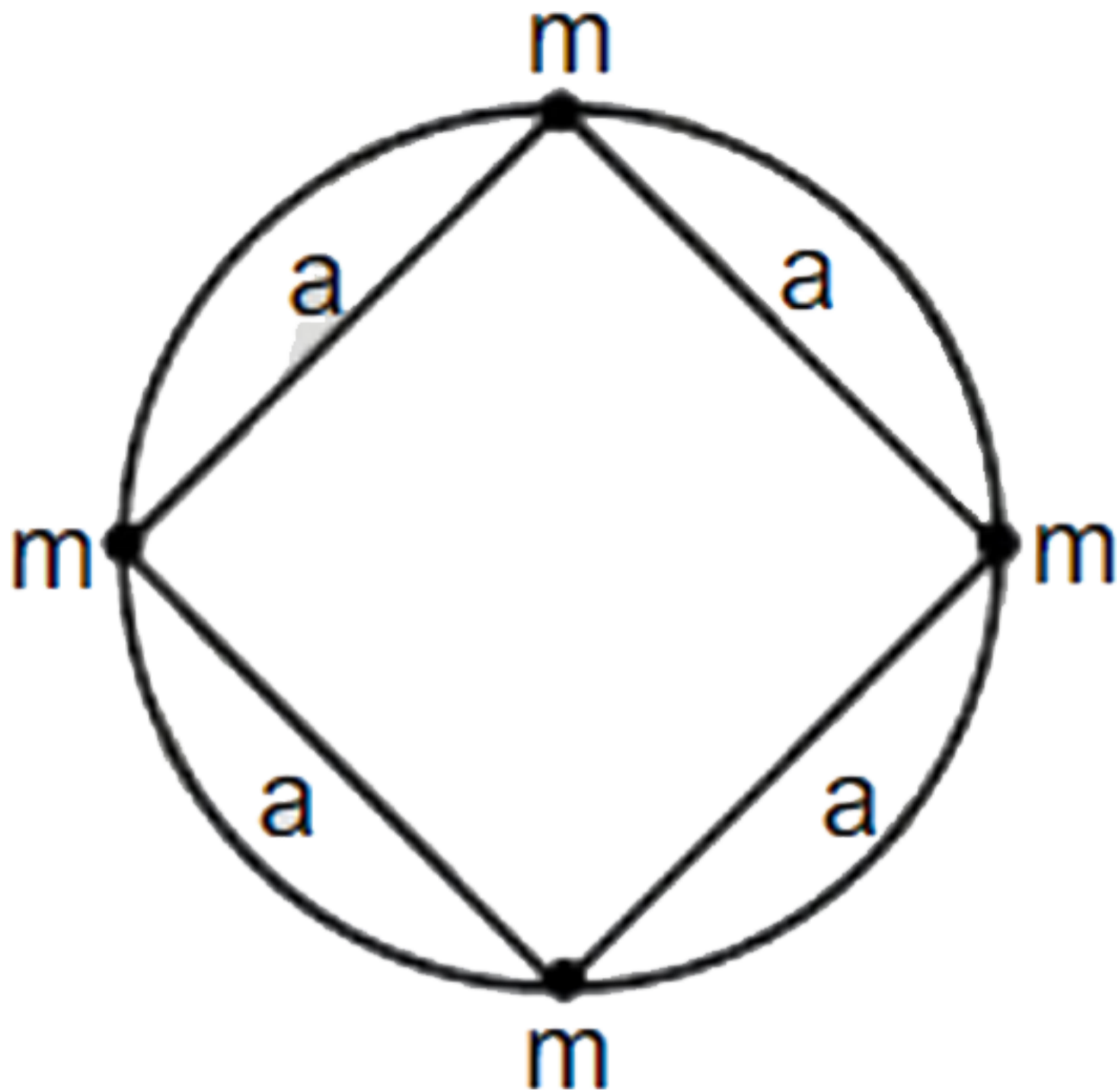
 **doubtnut**
पढ़ना हुआ आसान



24 - 9364300

**JEE MAINS 08 APRIL 2019 - PAPER 1 SHIFT 1 -
MEMORY BASED - PHYSICS**

Four particles each of mass m are undergoing circular motion under the influence of action of their mutual gravitational interaction while being at the vertices of a square of side a . Their speeds are.



(1) $\frac{\sqrt{2Gm}}{a}$

(2) $1.16 \frac{\sqrt{Gm}}{a}$

(3) $1.5 \frac{\sqrt{Gm}}{a}$

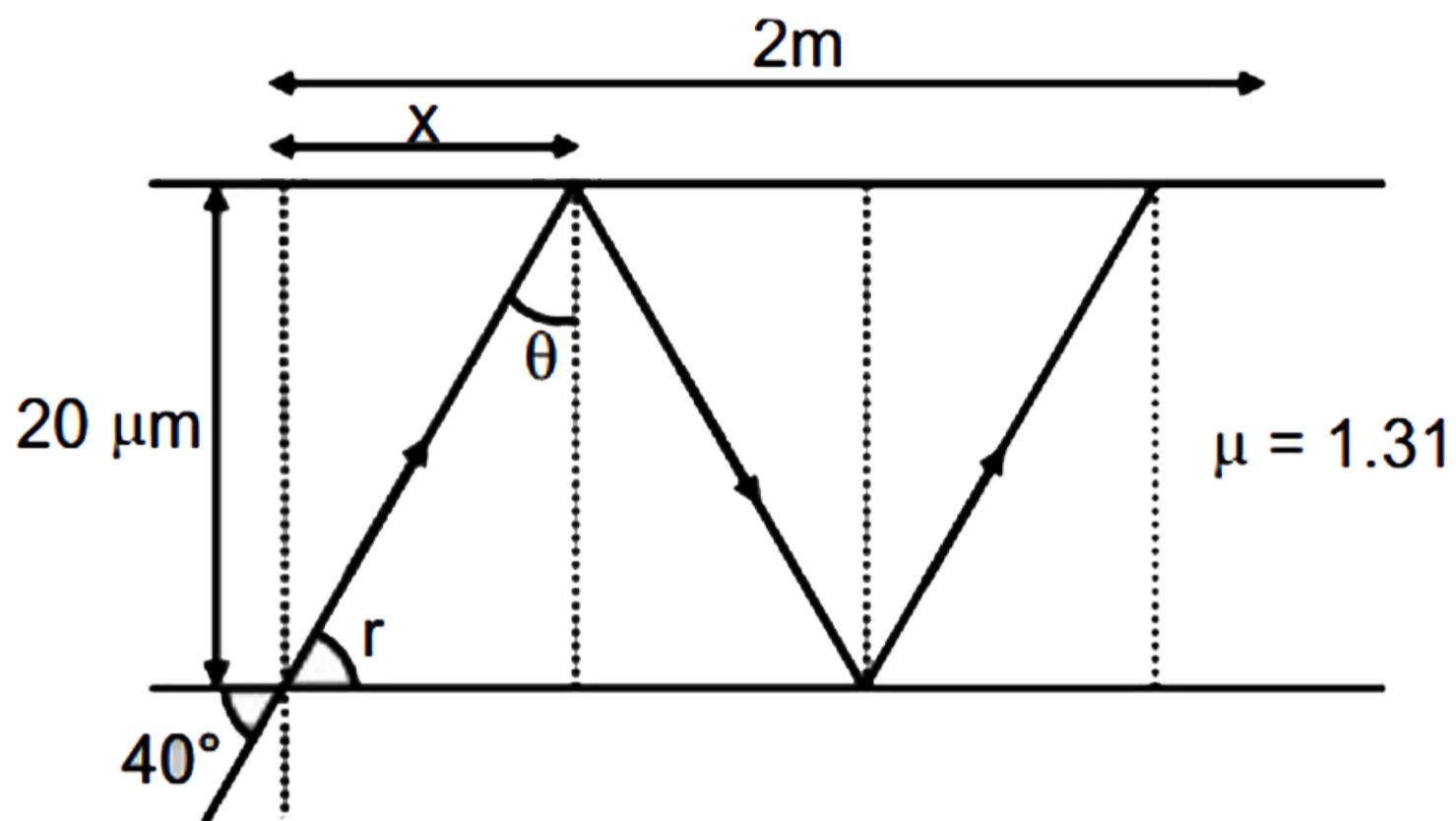
(4) $\frac{\sqrt{Gm}}{a}$

CORRECT OPTION: 2

[Watch Free Video Solution on Doubnut](#)

**JEE MAINS 08 APRIL 2019 - PAPER 1 SHIFT 1 -
MEMORY BASED - PHYSICS**

Find out no. of reflection after which right Ray will exit from
(Given $\sin 40^\circ = 0.64$)

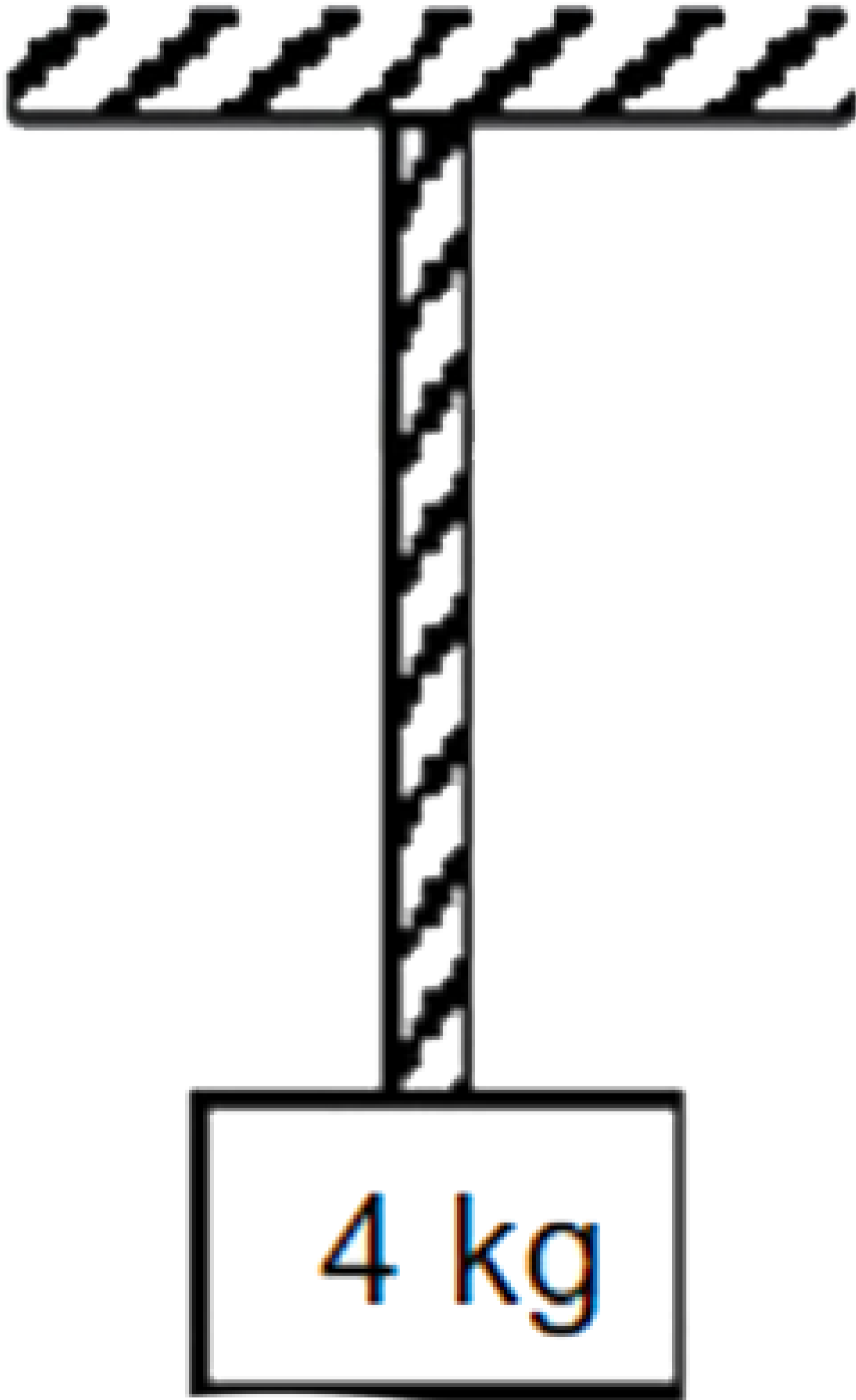


- (1) 130000
- (2) 57803
- (3) 140000
- (4) 150000

CORRECT OPTION: 2

[Watch Free Video Solution on Doubtnut](#)

A block of mass 4 kg is suspended from the ceiling with the help of a steel wire of radius 2mm and negligible mass. Find the stress in the wire. ($g = \pi^2$)



- (1) $4.0 \times 10^6 N / m^2$
- (2) $3.14 \times 10^6 N / m^2$
- (3) $3 \times 10^5 N / m^2$
- (4) $2.0 \times 10^6 N / m^2$

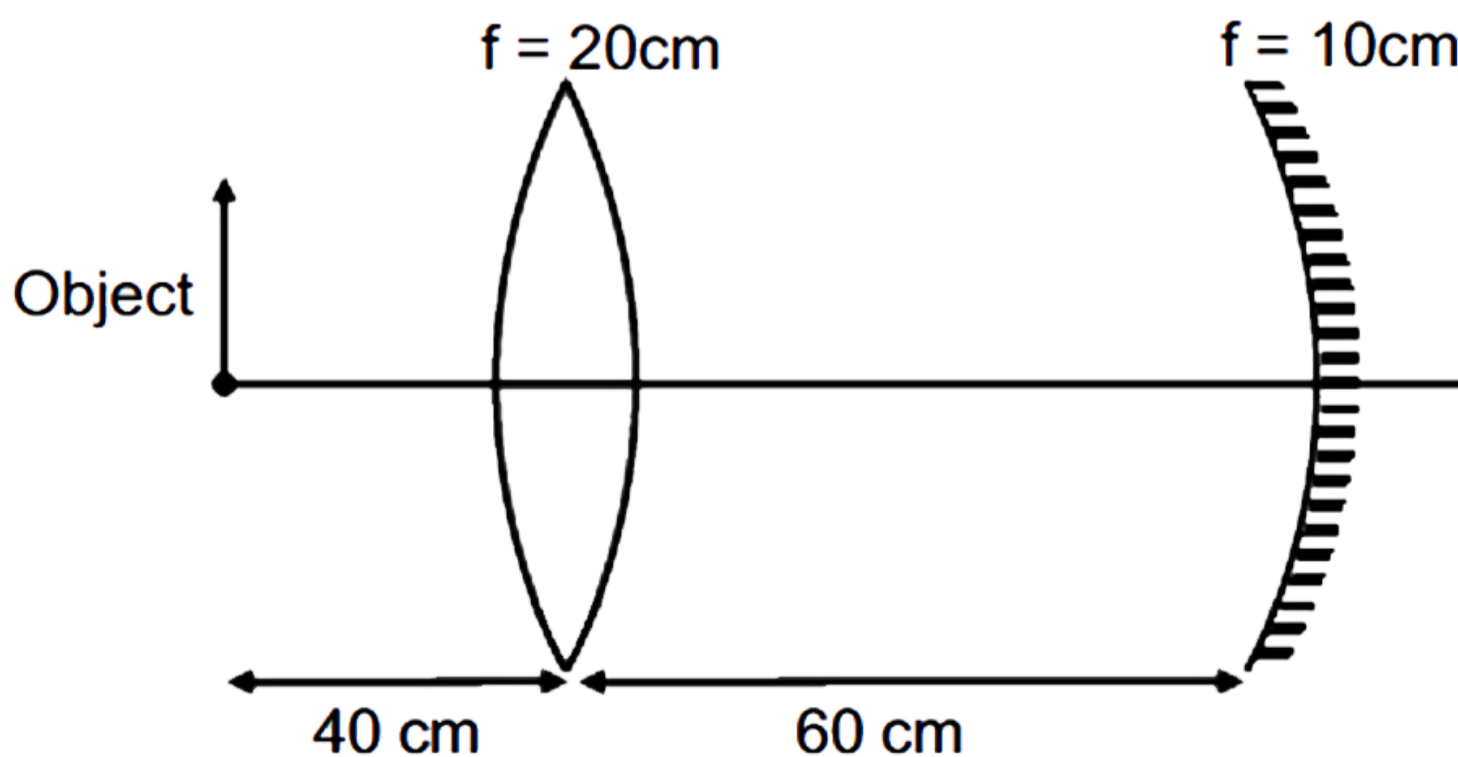
CORRECT OPTION: 2

[Watch Free Video Solution on Doubtnut](#)

27 - 9364304

**JEE MAINS 08 APRIL 2019 - PAPER 1 SHIFT 1 -
MEMORY BASED - PHYSICS**

A converging lens of focal length 20 cm is placed between an object & a concave mirror of focal length 10 cm as shown in figure. The final image is:



- (1) Coinciding with object enlarged, inverted, real

- (2) Coinciding with object same size, erect, real
 - (3) Coinciding with object same size, inverted , vertical
 - (4) Coinciding with object same size, inverted , real
-

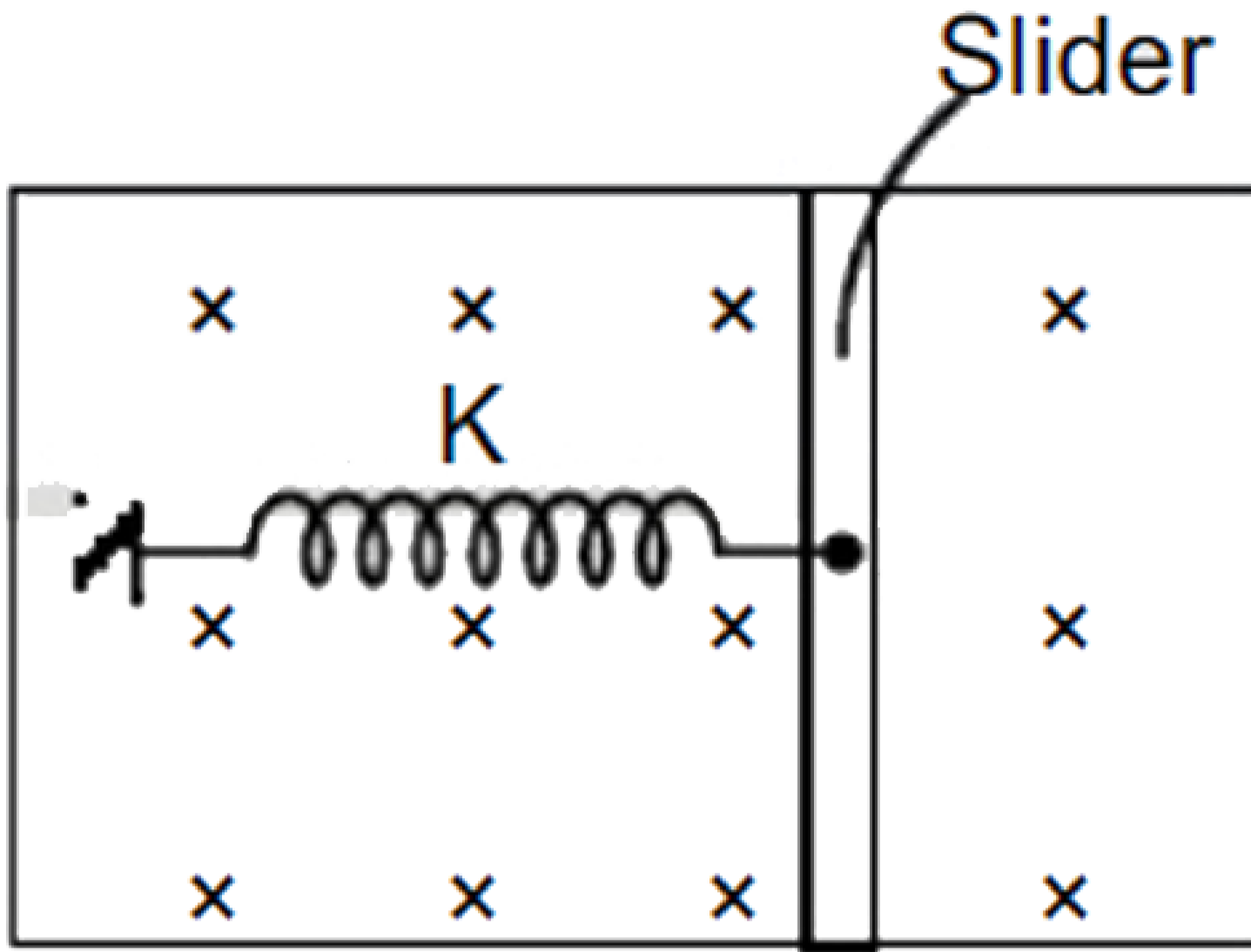
CORRECT OPTION: 4

[▶ Watch Free Video Solution on Doubtnut](#)

28 - 9364305

**JEE MAINS 08 APRIL 2019 - PAPER 1 SHIFT 1 -
MEMORY BASED - PHYSICS**

A conducting slider of resistance R (10Ω), mass 50 g & length 10 cm is kept on a U-shaped frame as shown in figure. There is uniform magnetic field ($B = 0.1\text{T}$) perpendicular to plane of frame. The slider is attached to a spring ($K = 0.5\text{N/m}$). It is displaced by A_0 & released time is which amplitude become A_0/e is



- (1) 9000 s
- (2) 10000 s
- (3) 12000 s
- (4) 15000 s

CORRECT OPTION: 2

[Watch Free Video Solution on Doubtnut](#)

29 - 9364306

**JEE MAINS 08 APRIL 2019 - PAPER 1 SHIFT 1 -
MEMORY BASED - PHYSICS**

A liquid of coefficient of viscosity $\eta = 1$ poise is flowing in a pipe of radius 3 cm such that the rate of volume flow is

$1000l / \text{min}$.Determine the Reynolds numbers.

- (1) 3536
- (2) 3500
- (3) 3400
- (4) 3600

CORRECT OPTION: 1

[Watch Free Video Solution on Doubtnut](#)

[Download Doubtnut to Ask Any Math Question By just a click](#)

[Get A Video Solution For Free in Seconds](#)

[Doubtnut Has More Than 1 Lakh Video Solutions](#)

[Free Video Solutions of NCERT, RD Sharma, RS Aggarwal, Cengage \(G.Tewani\), Resonance DPP, Allen, Bansal, FIITJEE, Akash, Narayana, VidyaMandir](#)

[Download Doubtnut Today](#)

Get Answer just with a click!

doubtnut has more than 1 Lakh Video Solutions

Update the App now!

GET IT ON Google Play

The advertisement features two smartphones. The left phone displays a math problem: "x is a subset of y, y is a subset of z, z is a subset of w, then x is a subset of w." Below it are tags like #SETS, #SUBSETS, #BOARDS, #intermediate, and #MICROC. The right phone shows a 'Library' screen with 'NCERT Questions' and 'Tips & Tricks' sections. The central text box is yellow with a dashed border.